

0CNP3-M34900EN

SPECIFICATIONS

Model		MT30DX
Dimensions	Overall length (mm)	1080
	Overall width (mm)	610
	Overall height (mm)	990
Weight (kg)		34
Engine	Type	Air-cooled, 4 cycles, inclined & OHV gasoline
	Model	GA90E-SKMT
	Total displacement (cc)	88
	Output/revolutions (PS/r.p.m)	2.2/1800(3.0)
	Fuel used	Leadless gasoline
	Fuel tank capacity (ℓ)	1.3
	Starting system	Finger-start(recil starter)
	Air cleaner system	Oil-bath type air cleaner
Main clutch system		Deadman type(belt tension)
Traveling unit	Axle shape	Round(φ 20mm)
	Max. rotor diameter for axle (mm)	φ 280
	Change (stage)	F 2 • R 1(gear quick back)

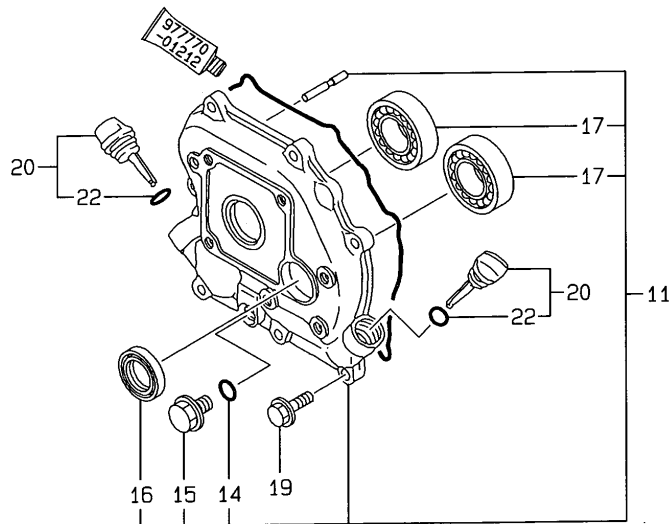
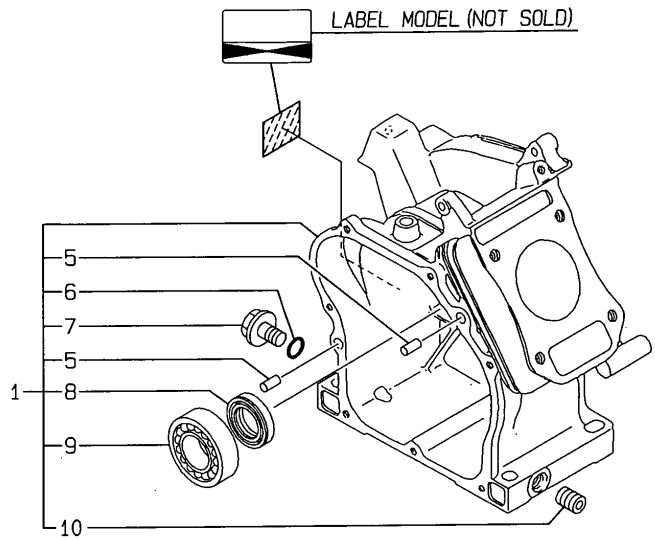
NOTE : Given specifications may be altered for improvement, etc. without prior notice.

Contents

Fig. No.	Fig. Name	Fig. No.	Fig. Name
ENGINE UNIT(GA90SKMT)		19. AXLE ROTOR	
1.	CYLINDER BLOCK	HANDLE SECTION	
2.	LABEL	20. HANDLE COLUMN	
3.	CYLINDER HEAD & BONNET	21. HANDLE & HANDLE COVER	
4.	AIR CLEANER & MUFFLER	22. CONTROL LEVER	
5.	CRANKSHAFT,PISTON & CAMSHAFT	ENGINE FRAME SECTION	
6.	CARBURETOR	23. ENGINE FRAME	
7.	GOVERNOR & CONTROL DEVICE	24. HITCH	
8.	FLY.MAGNET & STARTING DEVICE	25. BELT COVER	
PULLEY & TENSION SECTION		26. FUEL TANK	
9.	ENGINE MOUNTING	27. BONNET	
10.	ENGINE & MAIN PULLEYS	28. TAIL WHEEL	
11.	TENSION CLUTCH	LABELS & ACCESSORIES SECTION	
TRANSMISSION UNIT		29. ELECTRICAL PARTS	
12.	TRANSMISSION CASE	30. LABELS	
13.	MAIN SHAFT	31. TOOLS & ACCESSORIES	
14.	COUNTER SHAFT		
15.	SPEED REDUCTION SHAFT		
16.	AXLE		
17.	(SPEED) CHANGE		
WHEEL SECTION			
18.	FENDER		

Fig.1. CYLINDER BLOCK

1. CYLINDER BLOCK



Remarks
 (REMARKS)"EFFECTIVE MACHINE NO." OF
 ENGINE IS INDICATED ON THE
 ENGINE LABEL WHICH IS SHOWN
 IN FIG.1.

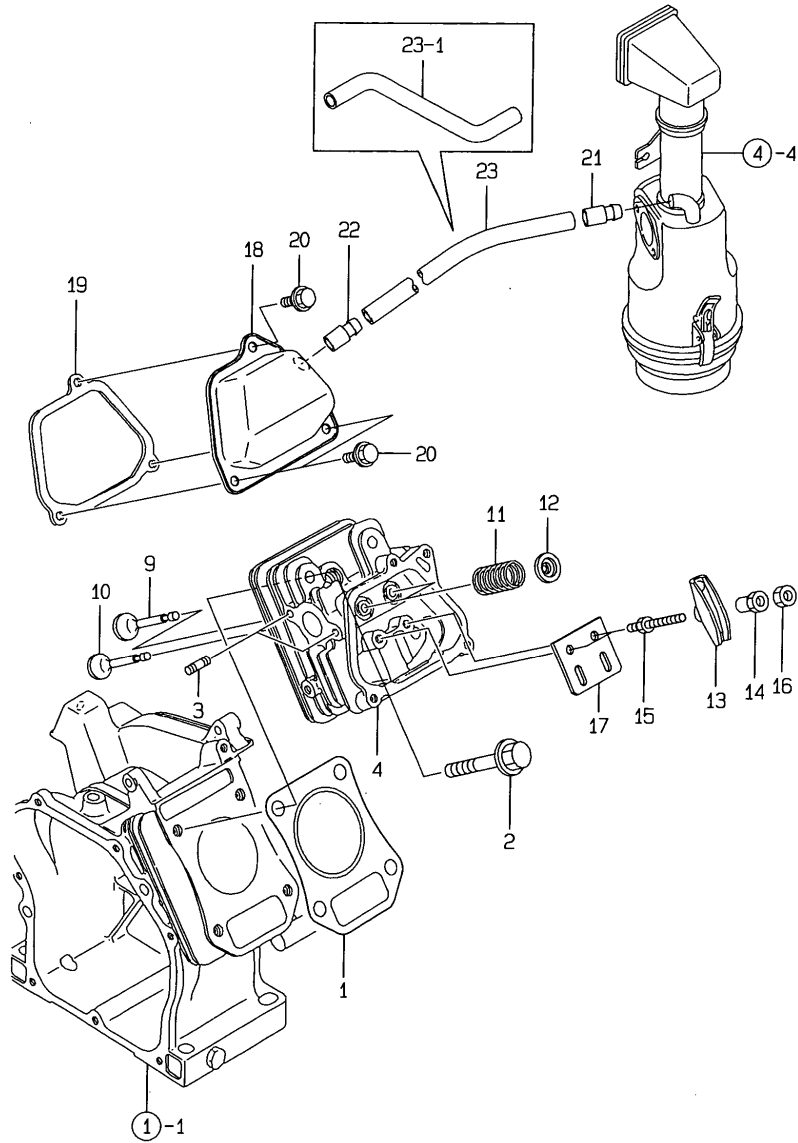
(A)=GA90E-SKMT
 (B)=
 (C)=

(D)=
 (E)=
 (F)=

No.	Lev.	Parts No.	Description	Q'ty						I	R
				(A)	(B)	(C)	(D)	(E)	(F)		
1	1	760490-01561	BLOCK ASSY, CYLINDER	1							
5	2	114270-01600	PIN, M8X12	2							
6	2	24311-000100	O-RING, 1AP10.0	1							
7	2	26106-100162	BOLT, M10X 16 PLATED	1							
8	2	160510-02220	SEAL, TC17306	1							
9	2	24101-062030	BEARING, BALL 6203C3	1							
10	2	160492-01600	PLUG M10,THREAD	1							
11	1	760490-01500	COVER ASSY	1							
14	2	24311-000100	O-RING, 1AP10.0	1							
15	2	26106-100162	BOLT, M10X 16 PLATED	1							
16	2	160510-02220	SEAL, TC17306	1							
17	2	24101-062030	BEARING, BALL 6203C3	2							
19	1	26476-060202	SCREW, TAPPING M6X20	7							
20	1	160611-01740	CAP ASSY	2							
22	2	24311-000150	O-RING, 1AP15.0	2							

Fig.3. CYLINDER HEAD & BONNET

3. CYLINDER HEAD & BONNET



(A)=GA90E-SKMT

(B)=

(C)=

(D)=

(E)=

(F)=

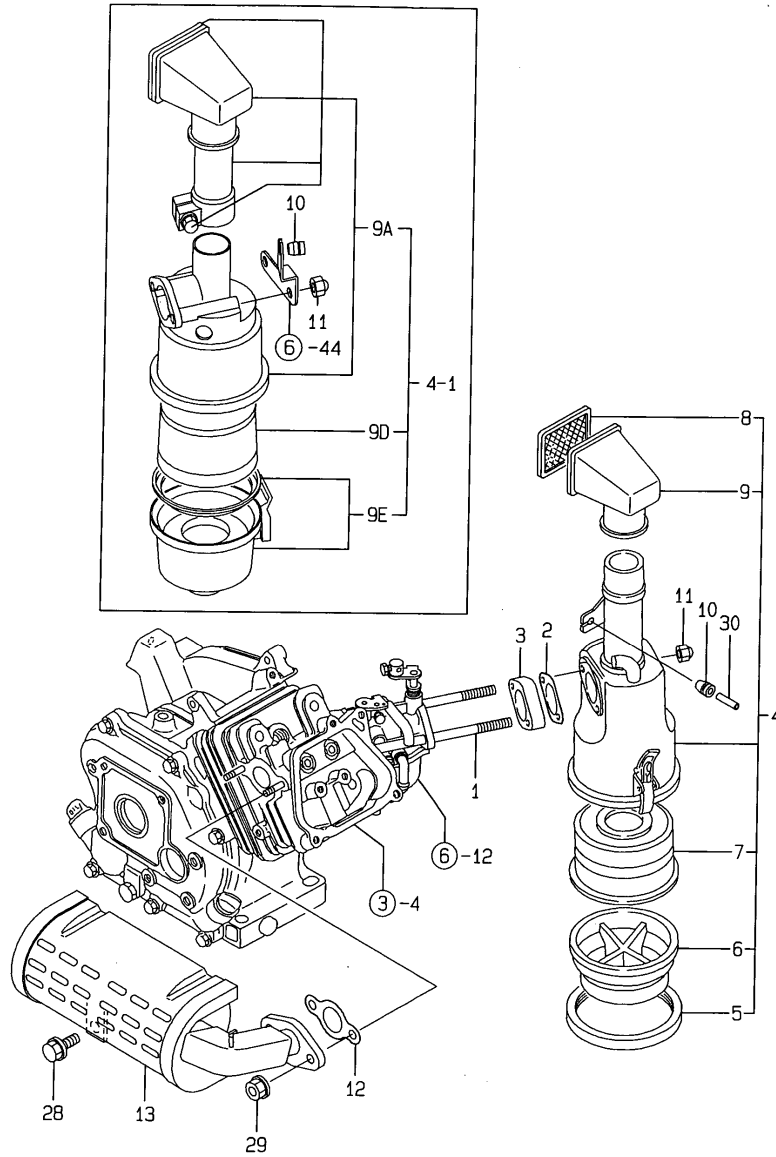
No.	Lev.	Parts No.	Description	Q'ty						I	R
				(A)	(B)	(C)	(D)	(E)	(F)		
1	1	160498-01330	GASKET, HEAD	1							
2	1	160610-04201	BOLT, FLANGE M8X53	4							
3	1	160610-04620	BOLT, M6X16	2							
4	1	160490-11010	HEAD ASSY, CYLINDER	1							
9	1	160664-11100	VALVE, INTAKE	1							
10	1	160664-11110	VALVE, EXHAUST	1							
11	1	160490-11120	SPRING, VALVE	2							
12	1	160664-11180	RETAINER, SPRING	2							
13	1	160699-11200	ARM, ROCKER	2							
14	1	160690-11220	PIVOT, ROCKER ARM	2							
14-1	1	160690-11221	PIVOT, ROCKER ARM	2							R
(A=E171995)											
15	1	160690-11271	BOLT	2							
16	1	160690-11280	NUT, M6X0.5	2							
17	1	160490-11290	PLATE, GUIDE	1							
18	1	160490-11300	BONNET	1							
19	1	160490-11310	GASKET, BONNET	1							
20	1	26476-060142	SCREW, TAPPING M6X14	3							
21	1	160520-03050	BREATHER	1							
22	1	160610-03050	BREATHER ASSY	1							
23	1	160810-03180	PIPE, BREATHER	1							
23-1	1	160593-03180	HOSE, BREATHER	1							S
(A=E146218)											

Remarks

(REMARKS)"EFFECTIVE MACHINE NO." OF ENGINE IS INDICATED ON THE ENGINE LABEL WHICH IS SHOWN IN FIG. 1.

Fig.4. AIR CLEANER & MUFFLER

4. AIR CLEANER & MUFFLER



(A)=GA90E-SKMT

(B)=

(C)=

(D)=

(E)=

(F)=

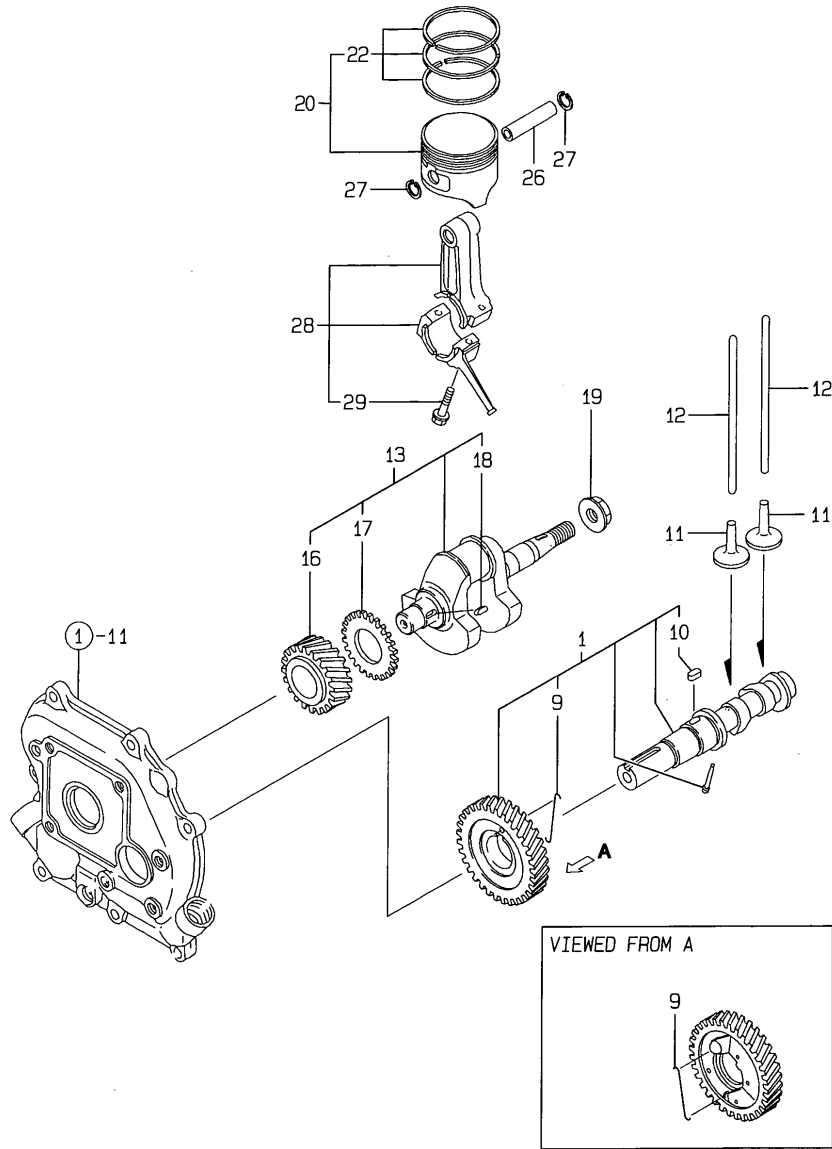
No.	Lev.	Parts No.	Description	Q'ty						I	R
				(A)	(B)	(C)	(D)	(E)	(F)		
1	1	160592-04310	BOLT, M6X130	2							
1-1	1	160611-04620	BOLT, M6X110	2							S
		(A=E146218)									
2	1	160762-12050	GASKET, MANIFOLD	1							Z
		(A=E146218)									
3	1	160690-12261	SPACER, AIR CLEANER	1							Z
		(A=E146218)									
4	1	160492-12510	CLEANER ASSY, AIR	1							
4-1	1	160492-12750	CLEANER ASSY, AIR	1							S
		(A=E146218)									
5	2	160720-12780	RING	1							Z
		(A=E146218)									
6	2	160720-12770	SUMP, OIL	1							Z
		(A=E146218)									
7	2	160720-12810	ELEMENT	1							Z
		(A=E146218)									
8	2	160692-12920	NET	1							Z
		(A=E146218)									
9	2	160762-12870	CAP	1							Z
		(A=E146218)									
9A	2	160492-12600	BODY ASSY	1							W
		(A=E146218)									
9B	3	160598-12610	PIPE ASSY	1							W
		(A=E146218)									
9C	3	160492-12620	GASKET	1							W
		(A=E146218)									
9D	2	160492-12630	ELEMENT ASSY	1							W
		(A=E146218)									
9E	2	160492-12640	SUMP ASSY, OIL	1							W
		(A=E146218)									
10	1	160763-12600	GROMMET	1							
11	1	26657-060002	NUT, CAP M6	2							
12	1	160510-13200	GASKET, MUFFLER	1							
13	1	160492-13601	MUFFLER ASSY	1							
28	1	26106-080142	BOLT, M8X 14 PLATED	1							
29	1	26366-060002	NUT, M6	2							
30	1	160492-12910	PIPE, VINYL	1							Z
		(A=E146218)									

Remarks

(REMARKS)"EFFECTIVE MACHINE NO." OF ENGINE IS INDICATED ON THE ENGINE LABEL WHICH IS SHOWN IN FIG. 1.

Fig.5. CRANKSHAFT,PISTON & CAMSHAFT

5. CRANKSHAFT,PISTON & CAMSHAFT



(A)=GA90E-SKMT
(B)=
(C)=

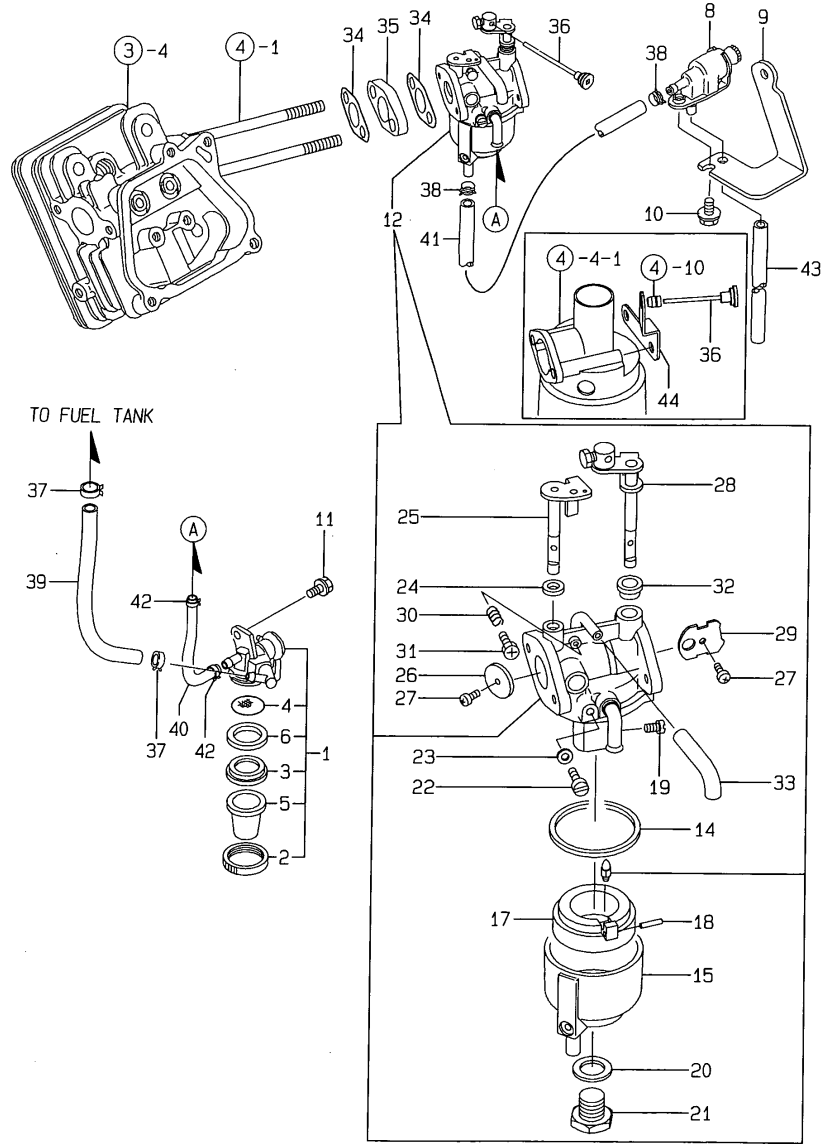
(D)=
(E)=
(F)=

No.	Lev.	Parts No.	Description	Q'ty						I	R
				(A)	(B)	(C)	(D)	(E)	(F)		
1	1	160498-14050	CAMSHAFT ASSY	1							
9	2	160611-14560	SPRING,DECOMPRESSION	1							
10	2	114250-21290	KEY, 4X7	1							
11	1	160490-14200	TAPPET	2							
12	1	160490-14400	ROD, PUSH	2							
13	1	760490-21700	CRANKSHAFT ASSY	1							
16	2	160530-21200	GEAR, CRANKSHAFT	1							
17	2	160590-21210	GEAR, IDLE	1							
18	2	160610-21290	KEY, 4X10	1							
19	1	26376-120002	NUT, M12	1							
20	1	160490-22010	PISTON ASSY	1							
22	2	760490-22500	RING SET, PISTON	1							
26	1	160490-22300	PIN, PISTON	1							
27	1	22252-000120	RING, 12	2							
28	1	160490-23030	ROD ASSY, CONNECTING	1							
29	2	26106-060302	BOLT, M6X 30 PLATED	2							

Remarks
(REMARKS)"EFFECTIVE MACHINE NO." OF
ENGINE IS INDICATED ON THE
ENGINE LABEL WHICH IS SHOWN
IN FIG.1.

Fig.6. CARBURETOR

6. CARBURETOR



N086821

(A)=GA90E-SKMT

(B)=

(C)=

(D)=

(E)=

(F)=

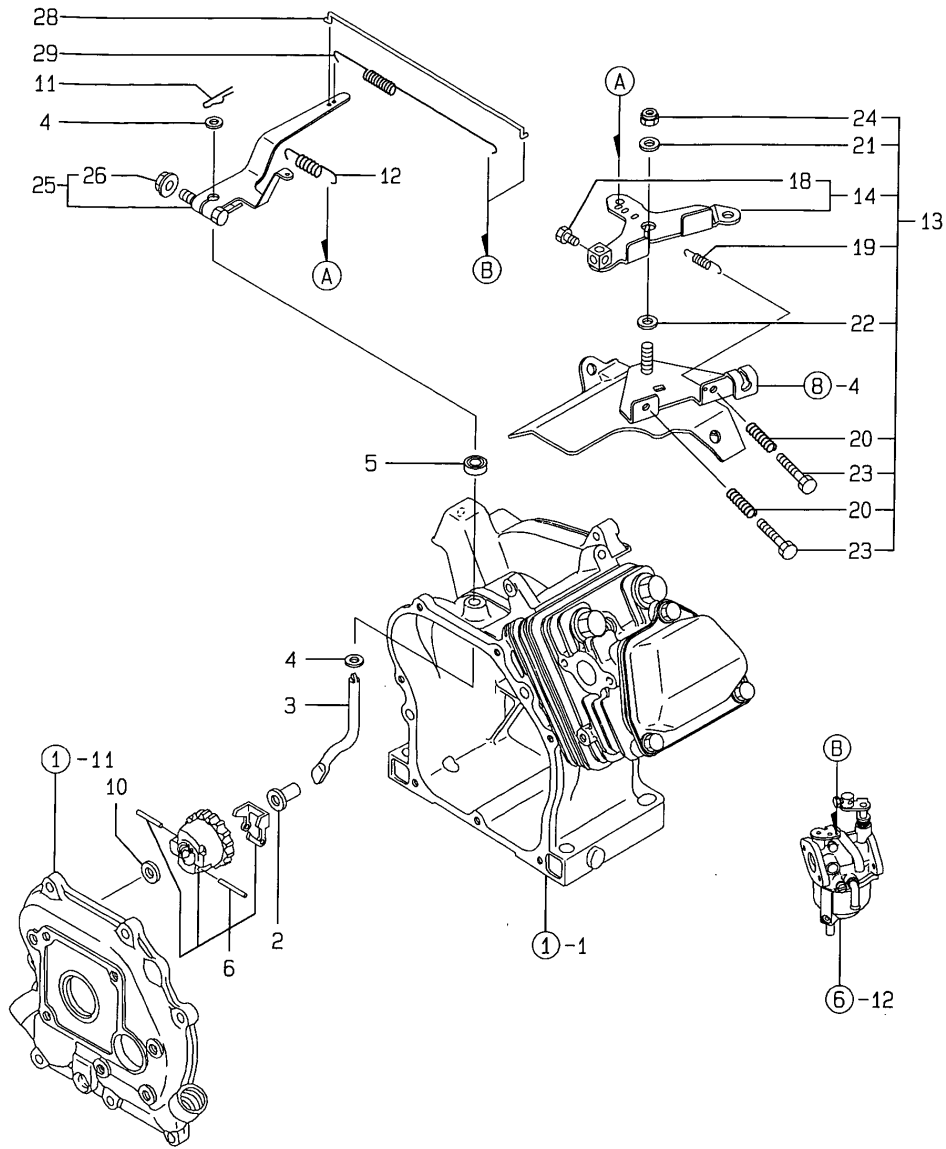
No.	Lev.	Parts No.	Description	Q'ty						I	R
				(A)	(B)	(C)	(D)	(E)	(F)		
1	1	160692-55330	COCK ASSY, FUEL	1							
2	2	160710-55360	RING	1							
3	2	160710-55370	GASKET	1							
4	2	160710-55382	FILTER	1							
5	2	160903-55390	CUP, FUEL COCK L57	1							
6	2	160692-55421	PLATE	1							Z
(A=E146218)											
8	1	160493-56870	VALVE, DRAIN	1							
9	1	160492-56910	STAY, DRAIN VALVE	1							
10	1	26106-060082	BOLT, M6X 8 PLATED	1							
11	1	26106-060102	BOLT, M6X 10 PLATED	1							
12	1	160492-56030	CARBURETOR ASSY	1							
14	2	160493-56610	GASKET	1							
15	2	160493-56680	CHAMBER ASSY	1							
17	2	160493-56620	FLOAT ASSY	1							
18	2	160493-56630	PIN, FLOAT	1							
19	2	160492-56830	JET, MAIN	1							
20	2	160493-56730	GASKET	1							
21	2	160493-56740	PLUG	1							
22	2	160493-56751	PLUG	1							
23	2	160493-56790	GASKET	1							
24	2	160493-56850	FILTER, AIR	1							
25	2	160493-56640	SHAFT, THROTTLE	1							
26	2	160493-56540	VALVE, THROTTLE	1							
27	2	160493-56550	SCREW	2							
28	2	160493-56660	SHAFT ASSY, CHOKE	1							
29	2	160493-56530	VALVE, CHOKE	1							
30	2	160493-56710	SPRING	1							
31	2	160493-56700	SCREW, ADJUSTING	1							
32	2	160493-56800	CAP	1							
33	2	160493-56820	HOSE	1							
34	1	160667-56150	GASKET, CARBURETOR	2							
35	1	160667-56160	SPACER, CARBURETOR	1							
36	1	160692-56900	ROD, CHOKE	1							
37	1	106990-44660	CLIP, HOSE 12.5	2							
38	1	124066-59100	CLIP, HOSE 8	2							
39	1	160667-59350	PIPE, FUEL	1							
40	1	160493-59390	HOSE, FUEL (B-150)	1							
41	1	160493-59400	PIPE, FUEL	1							
42	1	124060-77680	CLIP, HOSE 10	2							
43	1	160492-55910	PIPE, VINYL	1							
44	1	160492-56260	STAY, CHOKE	1							W

(A=E146218)

Remarks
 (REMARKS)"EFFECTIVE MACHINE NO." OF
 ENGINE IS INDICATED ON THE
 ENGINE LABEL WHICH IS SHOWN
 IN FIG.1.

Fig.7. GOVERNOR & CONTROL DEVICE

7. GOVERNOR & CONTROL DEVICE



(A)=GA90E-SKMT

(B)=

(C)=

(D)=

(E)=

(F)=

No.	Lev.	Parts No.	Description	Q'ty						I	R
				(A)	(B)	(C)	(D)	(E)	(F)		
2	1	160690-61301	SPINDLE	1							
3	1	160690-61311	SHAFT	1							
4	1	160690-61450	WASHER	2							
5	1	114770-61600	SEAL, OIL	1							
6	1	160690-61600	GEAR ASSY, GOVERNOR	1							
10	1	160120-76940	WASHER	1							
11	1	22372-080000	PIN, SNAP 8	1							
12	1	160490-66020	SPRING, GOVERNOR	1							
13	1	160492-66100	CONTROLLER ASSY	1							
14	2	160692-66051	LEVER ASSY, CONTROL	1							
18	3	26117-040088	BOLT M 4X 8 PLATED	1							
19	2	160664-66220	SPRING, RETURN	1							
20	2	160520-66291	SPRING	2							
21	2	160670-66350	COLLAR	1							
22	2	160120-76940	WASHER	1							
23	2	26117-040257	BOLT, M4X 25 PLATED	2							
24	2	26347-060002	NUT, M6	1							
25	1	160490-66190	LEVER ASSY, GOVERNOR	1							
26	2	26366-060002	NUT, M6	1							
28	1	160490-66200	LINK, THROTTLE	1							
29	1	160490-66211	SPRING, TENSION	1							

Remarks

(REMARKS)"EFFECTIVE MACHINE NO." OF ENGINE IS INDICATED ON THE ENGINE LABEL WHICH IS SHOWN IN FIG.1.

Fig.8. FLY.MAGNET & STARTING DEVICE

(A)=GA90E-SKMT

(B)=

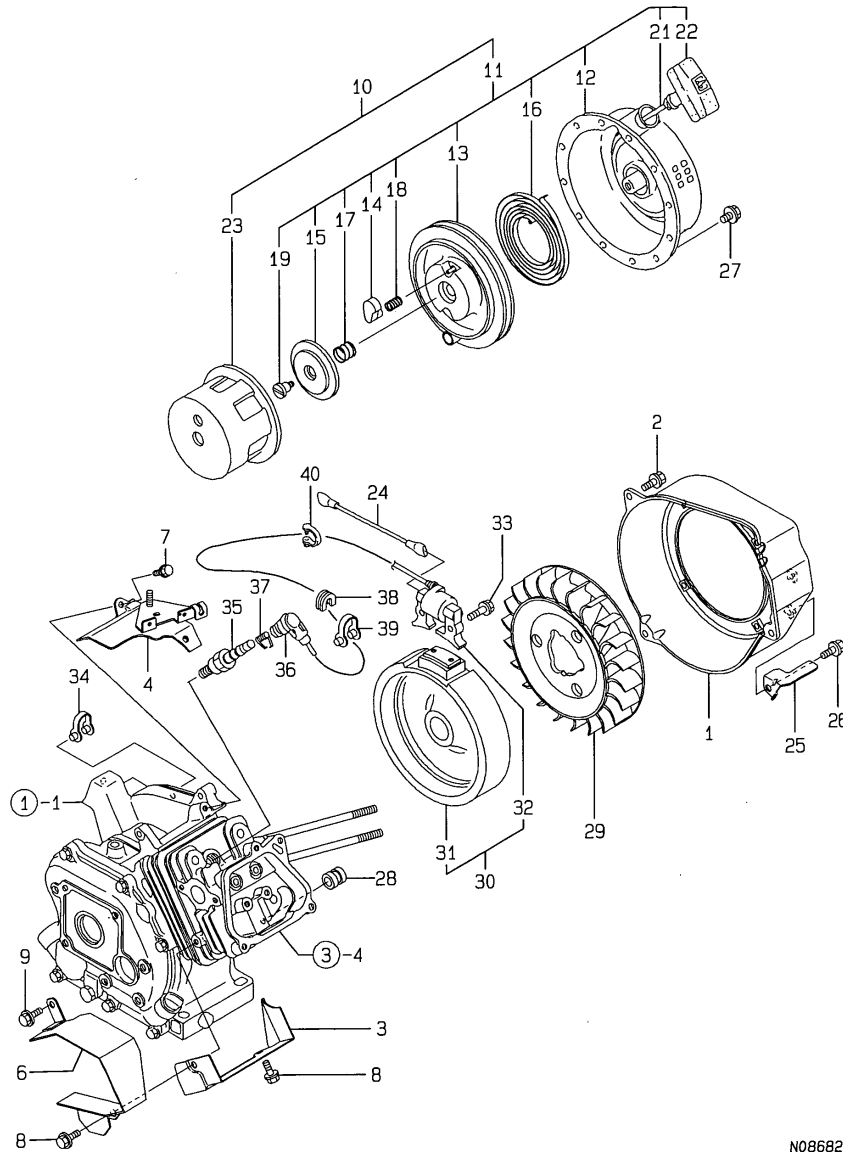
(C)=

(D)=

(E)=

(F)=

8. FLY.MAGNET & STARTING DEVICE



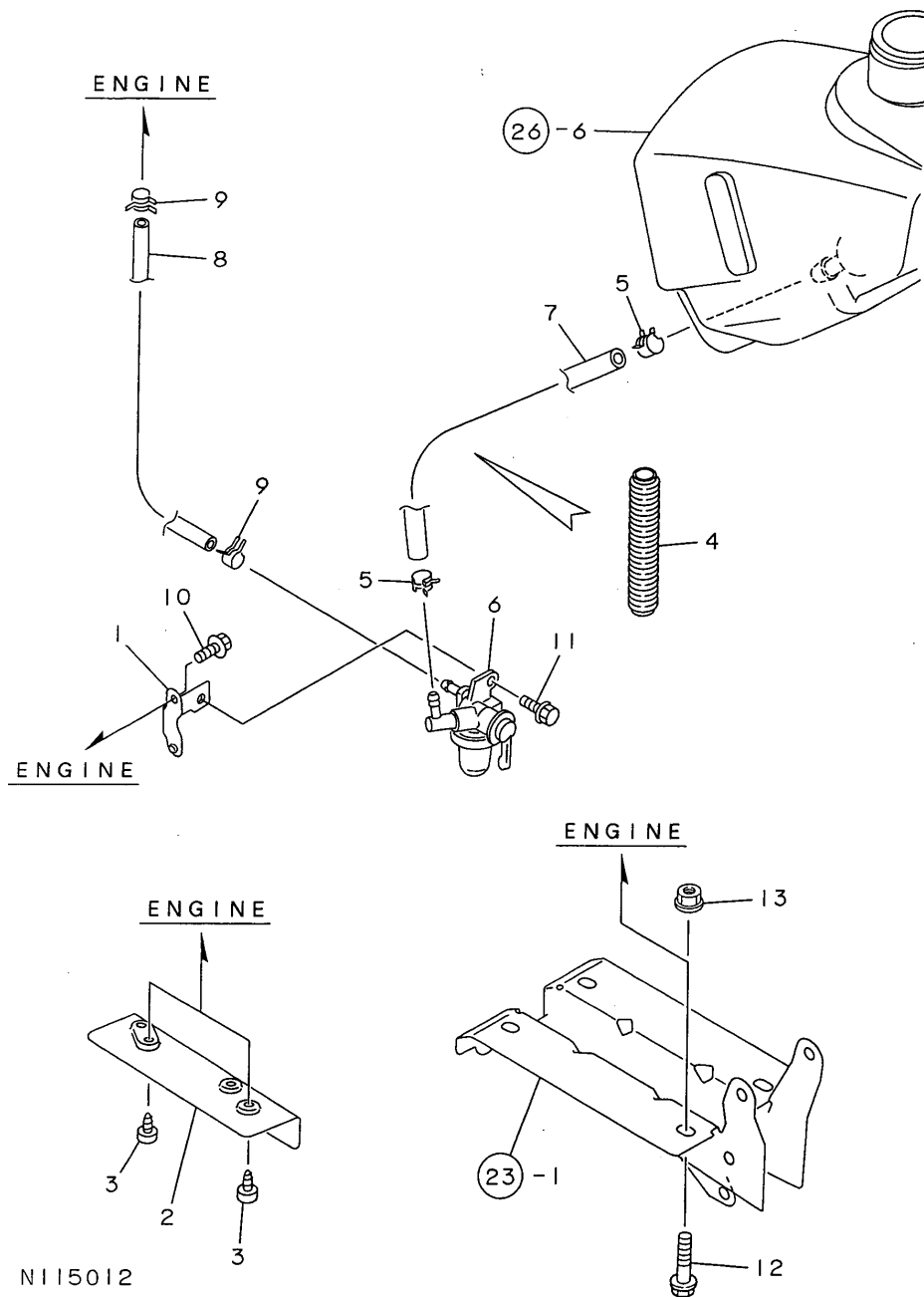
N086823

No.	Lev.	Parts No.	Description	Q'ty						I	R
				(A)	(B)	(C)	(D)	(E)	(F)		
1	1	160490-45140	CASE, COOLING FAN	1							
2	1	26476-060142	SCREW, TAPPING M6X14	3							
3	1	160490-45230	COVER	1							
4	1	160490-45220	COVER ASSY	1							
6	1	160492-45511	DUCT, COOLING	1							
7	1	26476-060142	SCREW, TAPPING M6X14	2							
8	1	26476-060142	SCREW, TAPPING M6X14	2							
9	1	26476-060142	SCREW, TAPPING M6X14	1							
10	1	160490-76051	STARTER ASSY, RECOIL	1							
11	2	160490-76251	STARTER ASSY, RECOIL	1							
12	3	160490-76611	CASE ASSY, STARTER	1							
13	3	160490-76511	REEL	1							
14	3	160690-76801	RATCHET	2							
15	3	160690-76531	GUIDE, RATCHET	1							
16	3	160690-76540	SPRING, SPIRAL	1							
17	3	160690-76561	SPRING, FRICTION	1							
18	3	160690-76570	SPRING, RETURN	2							
19	3	160698-76580	SCREW	1							
21	3	160490-76580	ROPE, STARTER	1							
22	3	160490-76600	KNOB, STARTER	1							
23	2	160490-76591	PULLEY, STARTER	1							
24	1	160490-78230	WIRE	1							
25	1	160490-45240	GUIDE	1							
26	1	26476-060142	SCREW, TAPPING M6X14	1							
27	1	26106-060082	BOLT, M6X 8 PLATED	4							
28	1	160341-01950	PIPE	1							
29	1	160490-45010	CASE, COOLING FAN	1							
30	1	160490-78090	MAGNETIC ASSY	1							
31	2	160490-78540	ROTOR	1							
32	2	160490-78550	COIL, IGNITION	1							
33	1	26476-060302	SCREW, TAPPING M6X30	2							
34	1	29610-000650	CLAMP, SPEED 065	2							
35	1	160793-78010	PLUG, SPARK	1							
36	1	160700-78040	CAP, PLUG	1							
37	1	160700-78050	TERMINAL, PLUG	1							
38	1	160700-78720	GROMMET	1							
39	1	29610-000950	CLAMP, SPEED 095	1							
40	1	29610-001400	CLAMP, SPEED 140	1							

Remarks
 (REMARKS)"EFFECTIVE MACHINE NO." OF
 ENGINE IS INDICATED ON THE
 ENGINE LABEL WHICH IS SHOWN
 IN FIG. 1.

Fig.9. ENGINE MOUNTING

9. ENGINE MOUNTING



(A)=MT30DX

(B)=

(C)=

(D)=

(E)=

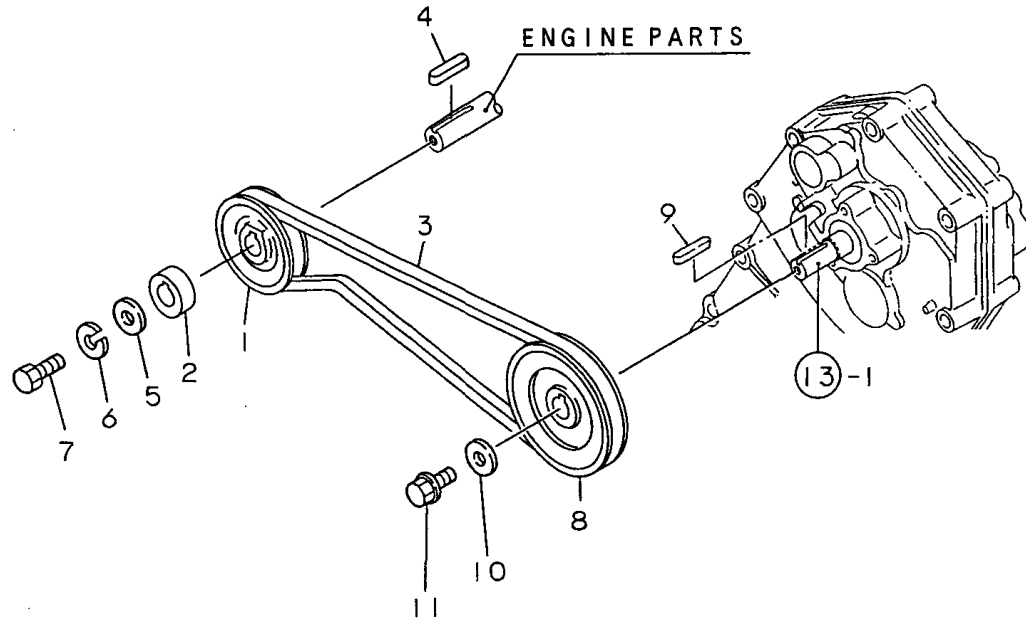
(F)=

No.	Lev.	Parts No.	Description	Qty						I	R
				(A)	(B)	(C)	(D)	(E)	(F)		
1	1	1A2190-11300	STAY COMP.,COCK	1							
2	1	1A2190-11440	PROTECTOR, HEAT	1							
3	1	1A2190-11450	SCREW M4X8,TAPPING	2							
4	1	1A2190-11500	TUBE,FORK PROTECTIVE	1							
5	1	106990-44660	CLIP, HOSE 12.5	2							
6	1	160692-55330	COCK ASSY, FUEL	1							
7	1	160667-59350	PIPE, FUEL	1							
8	1	160492-59390	PIPE, FUEL	1							
9	1	124060-77680	CLIP, HOSE 10	2							
10	1	1A1750-90200	SCREW 6X12,COLLAR HD	1							
11	1	26107-060122	BOLT M 6X 12 PLATED	1							
12	1	26107-080352	BOLT M 8X 35 PLATED	4							
13	1	26367-080002	NUT, M8	4							

N115012

Fig.10. ENGINE & MAIN PULLEYS

10. ENGINE & MAIN PULLEYS



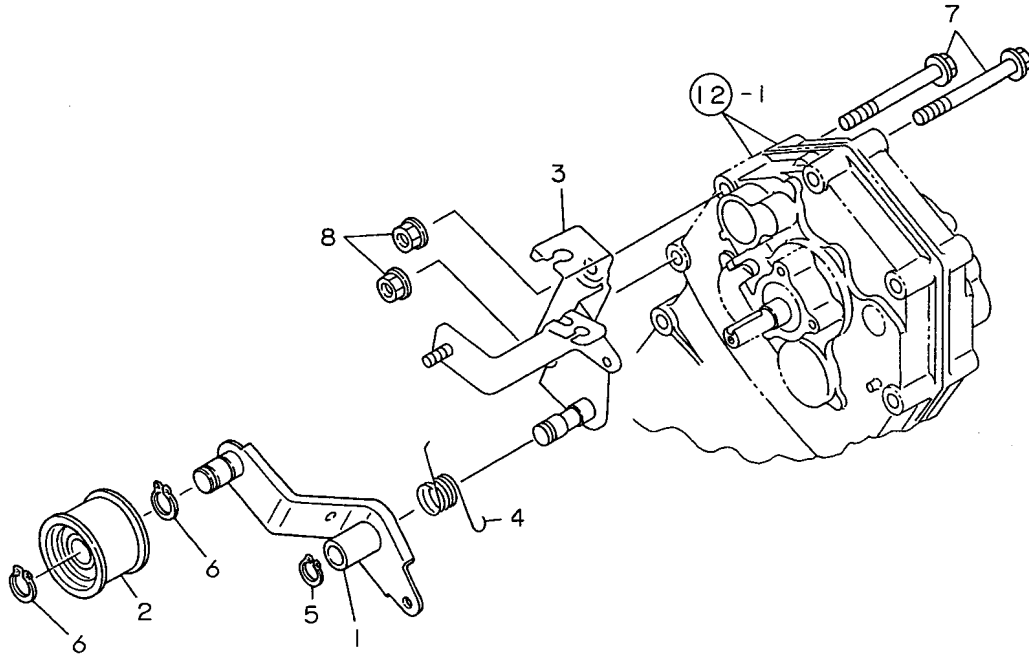
(A)=MT30DX
(B)=
(C)=

(D)=
(E)=
(F)=

No.	Lev.	Parts No.	Description	Q'ty						I	R
				(A)	(B)	(C)	(D)	(E)	(F)		
1	1	1A2190-12100	V-PULLEY 65A	1							
2	1	1A2190-12110	COLLAR,PULLEY	1							
3	1	1A2190-12151	V-BELT REC SA25	1							
4	1	1D1630-51050	KEY 4X25	1							
5	1	22157-060000	WASHER, 6	1							
6	1	22217-060000	WASHER, SPRING 6	1							
7	1	26117-060162	BOLT M 6X 16 PLATED	1							
8	1	1A2190-13300	V-PULLEY 90A	1							
9	1	1D1630-51050	KEY 4X25	1							
10	1	22157-060000	WASHER, 6	1							
11	1	26107-060122	BOLT M 6X 12 PLATED	1							

Fig.11. TENSION CLUTCH

11. TENSION CLUTCH



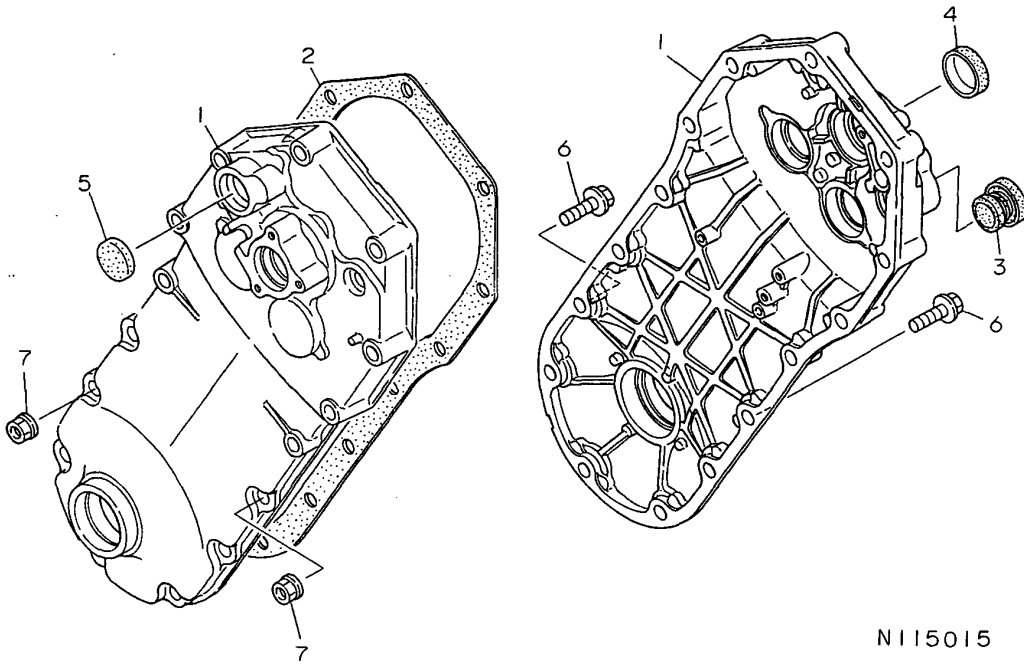
(A)=MT30DX
(B)=
(C)=

(D)=
(E)=
(F)=

No.	Lev.	Parts No.	Description	Qty						I	R
				(A)	(B)	(C)	(D)	(E)	(F)		
1	1	1A2190-11200	ARM, TENSION	1							
2	1	1A2001-13051	ROLLER CMP,TENSION	1							
3	1	1A2190-13210	BEARER COMP., TENSION	1							
4	1	1A2190-13350	SPRING 3,TENS'N RET.	1							
5	1	22242-000120	RING, 12	1							
6	1	22242-000150	RING, 15	2							
7	1	26107-080702	BOLT M 8X 70 PLATED	2							
8	1	26367-080002	NUT, M8	2							

Fig.12. TRANSMISSION CASE

12. TRANSMISSION CASE



N115015

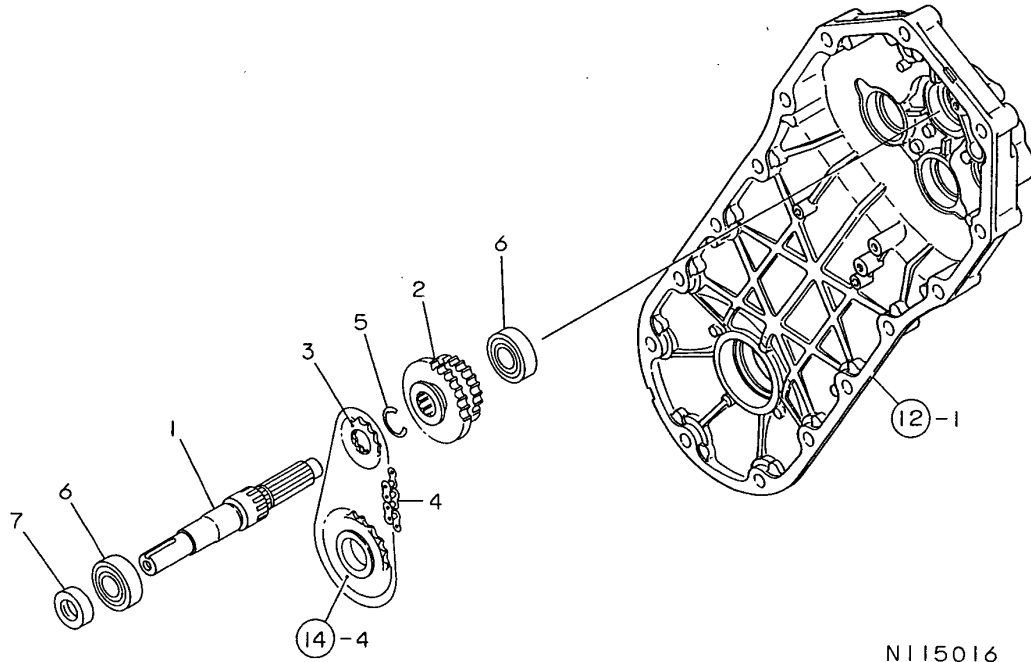
(A)=MT30DX
(B)=
(C)=

(D)=
(E)=
(F)=

No.	Lev.	Parts No.	Description	Q'ty						I	R
				(A)	(B)	(C)	(D)	(E)	(F)		
1	1	1A1750-20010	CASE, TRANSMISSION	2							
2	1	1A1750-20030	PACKING, TRANSM CASE	1							
3	1	1A1470-20090	CAP 35, OIL FILLER	1							
4	1	1A1750-20410	CAP 30X5, SEAL	1							
5	1	1A1750-20421	CAP 26X6, SEAL	1							
6	1	26107-080252	BOLT M 8X 25 PLATED	6							
7	1	26367-080002	NUT, M8	6							

Fig.13. MAIN SHAFT

13. MAIN SHAFT



N115016

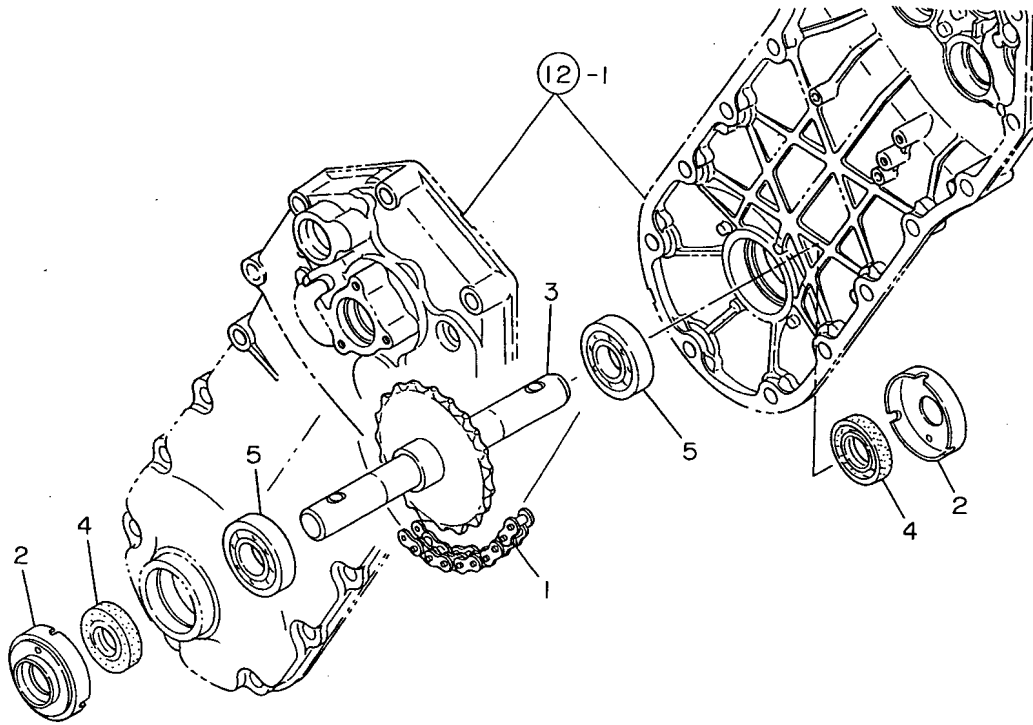
(A)=MT30DX
(B)=
(C)=

(D)=
(E)=
(F)=

No.	Lev.	Parts No.	Description	Qty						I	R
				(A)	(B)	(C)	(D)	(E)	(F)		
1	1	1A2190-23020	SHAFT,MAIN	1							
2	1	1A2190-23030	GEAR 18X24	1							
3	1	1A2190-23040	SPROCKET 14	1							
4	1	1A2190-23050	CHAIN 6.35X38,ROLLER	1							
5	1	22292-000170	RING, S-17	1							
6	1	24101-060024	BEARING, BALL 6002	2							
7	1	24421-152507	SEAL, OIL TC152507	1							

Fig.16. AXLE

16. AXLE



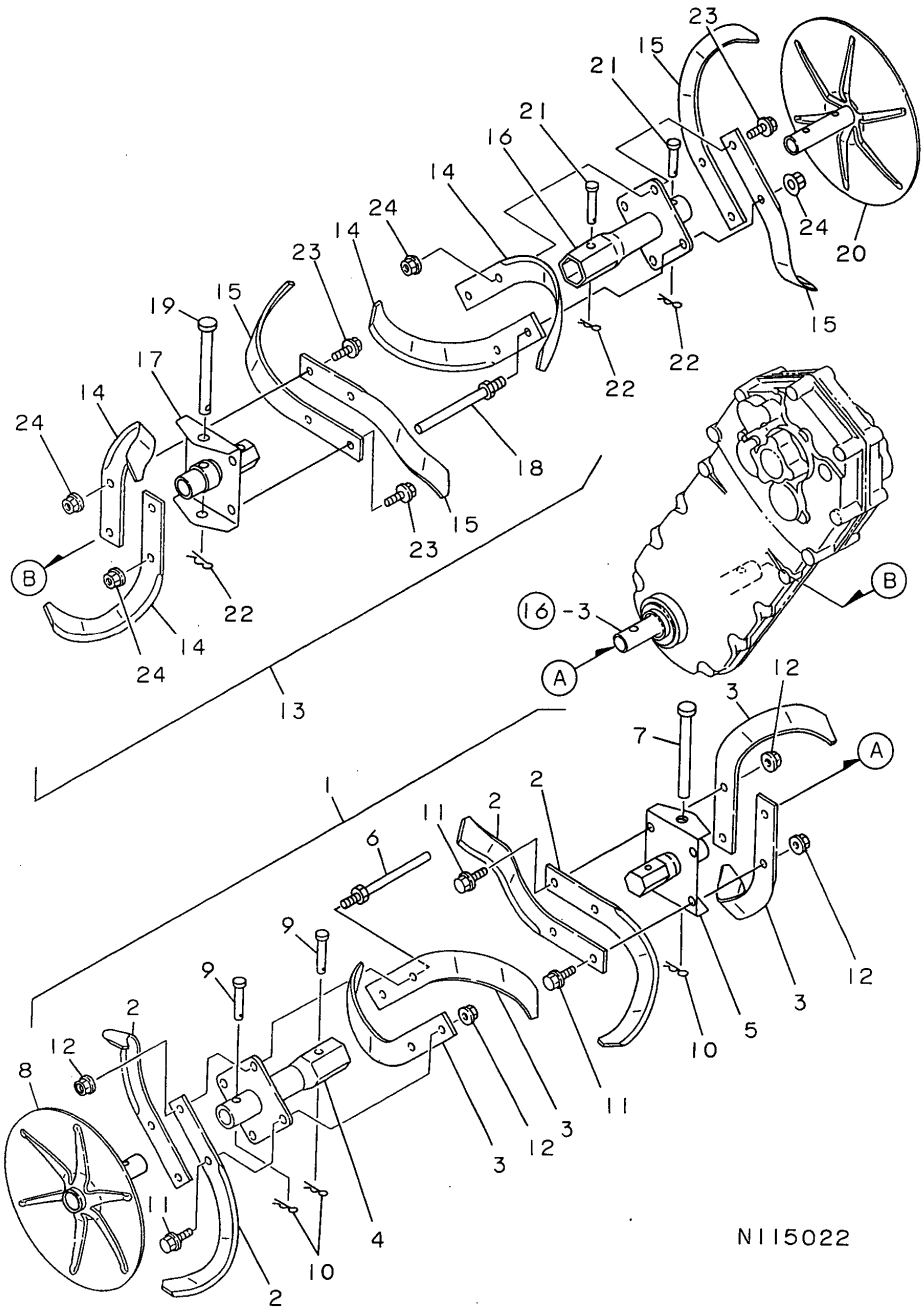
(A)=MT30DX
(B)=
(C)=

(D)=
(E)=
(F)=

No.	Lev.	Parts No.	Description	Q'ty						I	R
				(A)	(B)	(C)	(D)	(E)	(F)		
1	1	1A1750-20180	CHAIN 12.7X56,ROLLER	1							
2	1	1A1750-20440	COVER.COMP,AXLE BOSS	2							
3	1	1A2190-24000	AXLE COMPL	1							
4	1	1A1540-28251	SEAL,OIL 20X40X10	2							
5	1	24101-062044	BEARING, BALL 6204	2							

Fig.19. AXLE ROTOR

19. AXLE ROTOR



N115022

(A)=MT30DX

(B)=

(C)=

(D)=

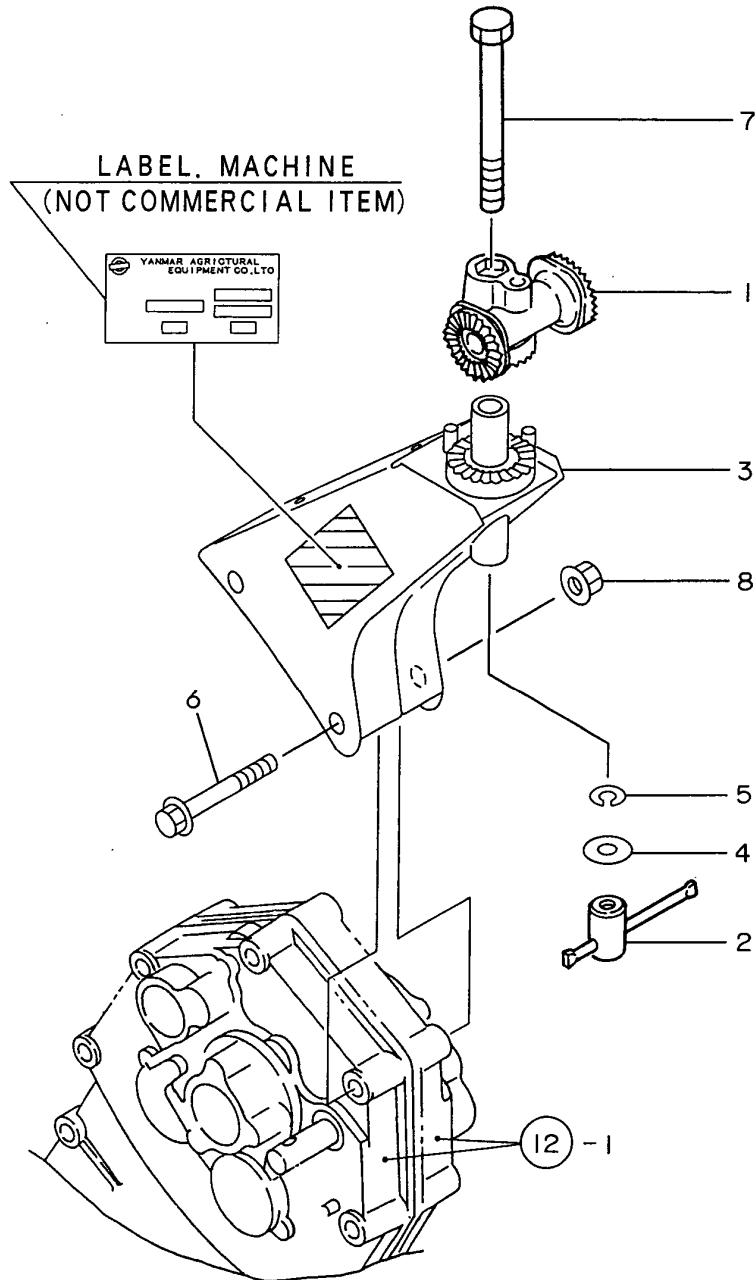
(E)=

(F)=

No.	Lev.	Parts No.	Description	Q'ty						I	R
				(A)	(B)	(C)	(D)	(E)	(F)		
1	1	1A2190-35001	ROTOR L COMPL.	1							
2	2	1S0010-17150	TINE L,SPADING	4							
3	2	1S0010-17250	TINE R,SPADING	4							
4	2	1A1760-30200	SHAFT COMPL.,EXTENS.	1							
5	2	1A2190-35101	SHAFT COMPL.,ROTOR	1							
6	2	1A2190-35150	ROD C,IDLE ROTATING	2							
7	2	1A2190-35200	PIN 8X100,FLAT HEAD	1							
8	2	1A2190-35300	DISC COMP., CLUTCH	1							
9	2	1A1540-46010	PIN 8X35,FLAT HEAD	2							
10	2	1A1540-46020	PIN 8,SNAP	3							
11	2	26107-080202	BOLT M 8X 20 PLATED	6							
12	2	26367-080002	NUT, M8	8							
13	1	1A2190-35051	ROTOR R COMPL.	1							
14	2	1S0010-17150	TINE L,SPADING	4							
15	2	1S0010-17250	TINE R,SPADING	4							
16	2	1A1760-30200	SHAFT COMPL.,EXTENS.	1							
17	2	1A2190-35101	SHAFT COMPL.,ROTOR	1							
18	2	1A2190-35150	ROD C,IDLE ROTATING	2							
19	2	1A2190-35200	PIN 8X100,FLAT HEAD	1							
20	2	1A2190-35300	DISC COMP., CLUTCH	1							
21	2	1A1540-46010	PIN 8X35,FLAT HEAD	2							
22	2	1A1540-46020	PIN 8,SNAP	3							
23	2	26107-080202	BOLT M 8X 20 PLATED	6							
24	2	26367-080002	NUT, M8	8							

Fig.20. HANDLE COLUMN

20. HANDLE COLUMN



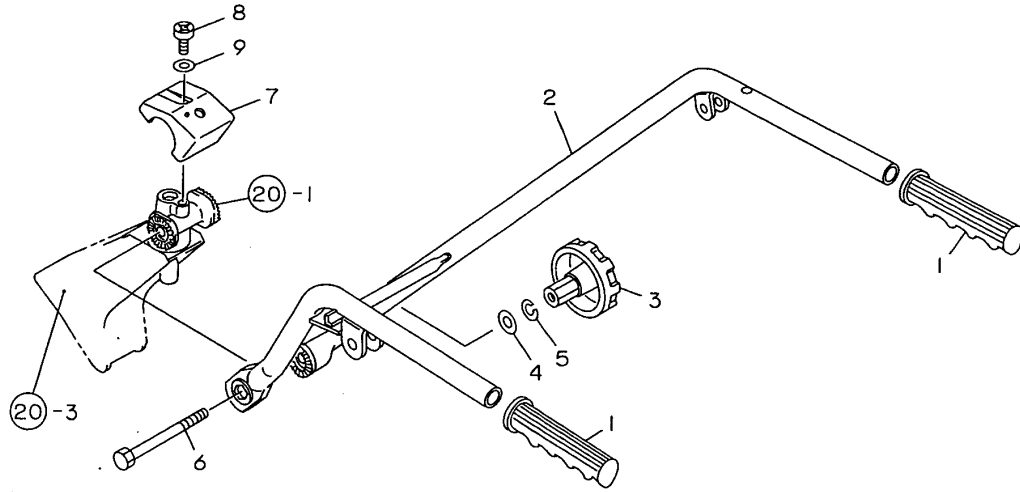
(A)=MT30DX
(B)=
(C)=

(D)=
(E)=
(F)=

No.	Lev.	Parts No.	Description	Q'ty						I	R
				(A)	(B)	(C)	(D)	(E)	(F)		
1	1	1A1750-41100	WASHER,MV-RD.VELT.	1							
2	1	1A1750-41150	LEVER COMP.,MV.-RD.	1							
3	1	1A2190-51300	FRAME COMP., HANDLE	1							
4	1	22117-100000	WASHER, 10	1							
5	1	22217-100000	WASHER, SPRING 10	1							
6	1	26107-080602	BOLT M 8X 60 PLATED	2							
7	1	26157-101002	BOLT, M10X100 PLATED	1							
8	1	26367-080002	NUT, M8	2							

Fig.21. HANDLE & HANDLE COVER

21. HANDLE & HANDLE COVER



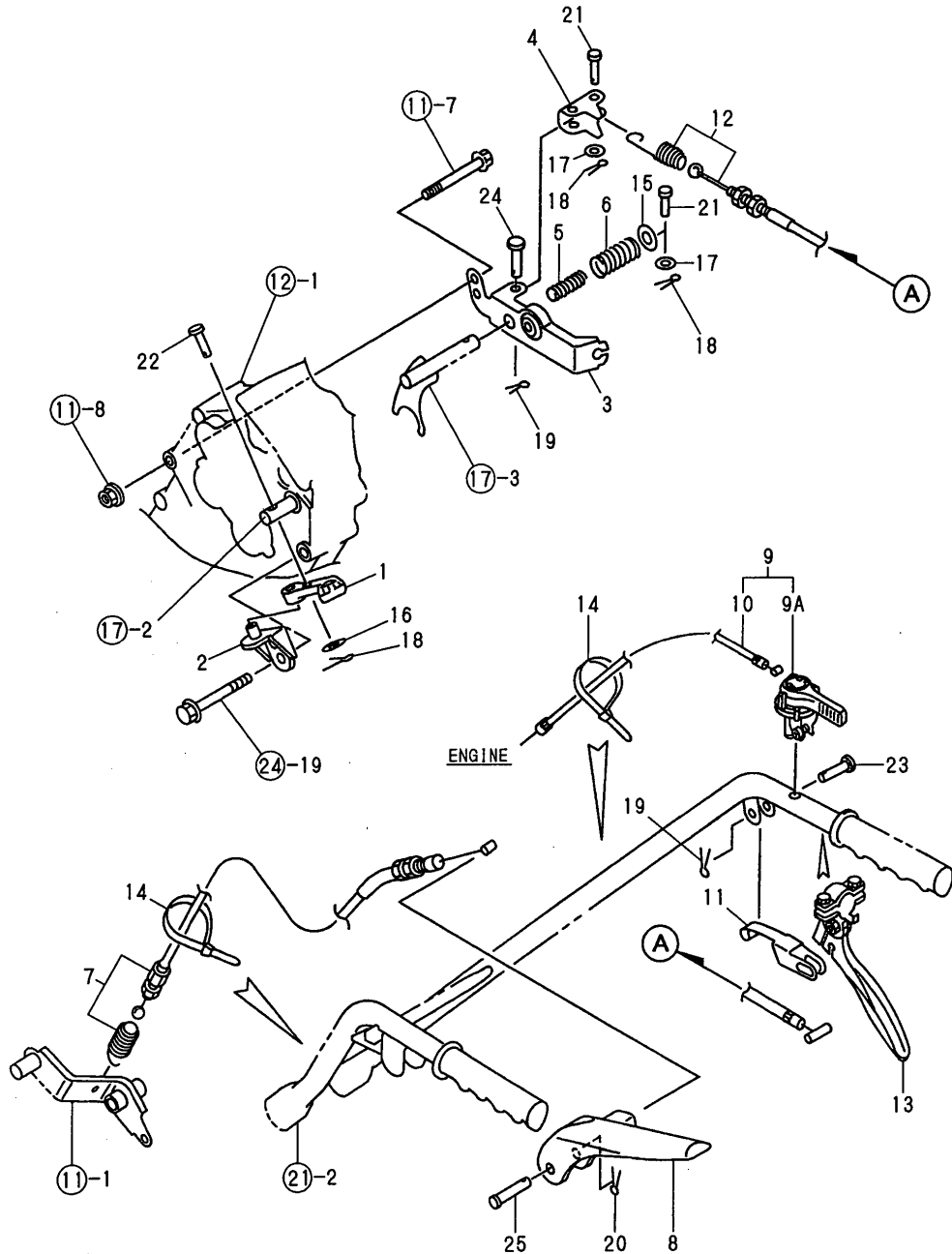
(A)=MT30DX
(B)=
(C)=

(D)=
(E)=
(F)=

No.	Lev.	Parts No.	Description	Q'ty						I	R
				(A)	(B)	(C)	(D)	(E)	(F)		
1	1	1C6080-51310	GRIP, HANDLE	2							
2	1	1A2190-51701	HANDLE ASSY	1							
3	1	1A2190-51910	KNOB	1							
4	1	22137-100000	WASHER, 10	1							
5	1	22217-100000	WASHER, SPRING 10	1							
6	1	26157-101002	BOLT, M10X100 PLATED	1							
7	1	1A2190-51400	COVER, HANDLE FRAME	1							
8	1	1A1750-90060	SCREW 5X16, TAPPING	1							
9	1	1A1750-90150	WASHER 5, PLAIN	1							

Fig.22. CONTROL LEVER

22. CONTROL LEVER



(A)=MT30DX

(B)=

(C)=

(D)=

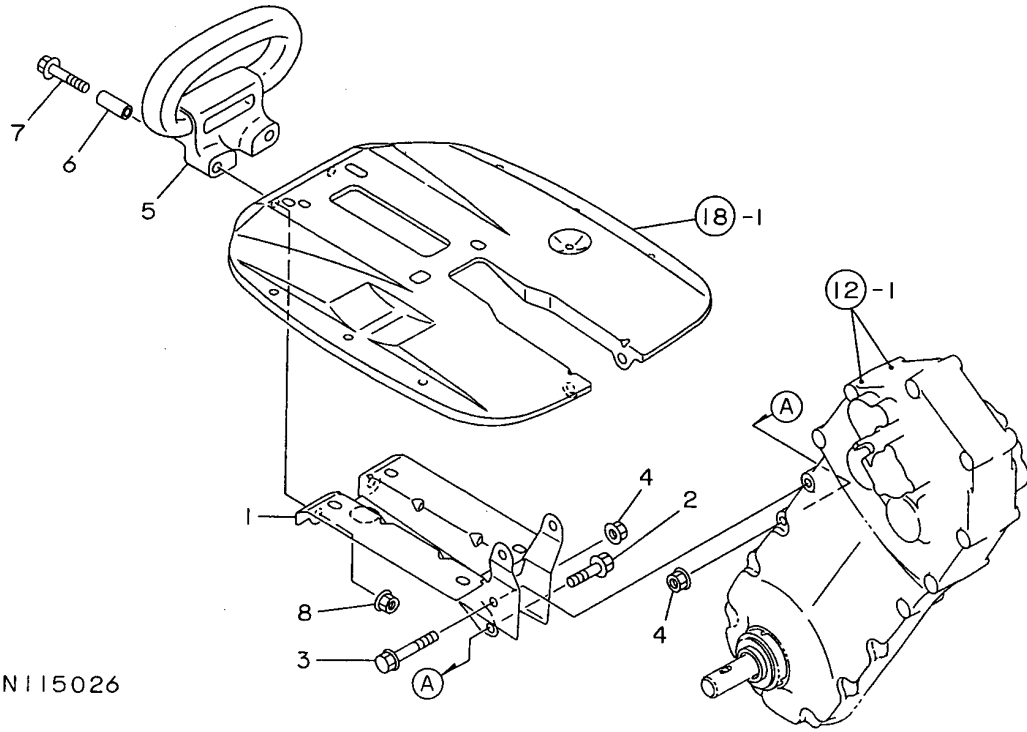
(E)=

(F)=

No.	Lev.	Parts No.	Description	Q'ty						I	R
				(A)	(B)	(C)	(D)	(E)	(F)		
1	1	1A1750-51100	LEVER,CHANGE	1							
2	1	1A1750-51150	FULCRUM COMP.,CHANGE	1							
3	1	1A2190-55400	BRACKET,WIRE	1							
4	1	1A2190-55420	LEVER QB	1							
4-1	1	1A2190-55421	LEVER QB	1							N
(A=*1997.07)											
5	1	1A2190-55460	SPRING 13X38	1							
6	1	1A2190-55470	SPRING 17X36	1							
7	1	1A2190-55520	WIRE CMP,MAIN CLUTCH	1							
8	1	1A2190-55550	LEVER, CLUTCH	1							
9	1	1A2199-55580	LEVER ASSY.,ACCEL.	1							W
(A=FXXX)											
9A	2	1A2199-55590	LEVER AXLE	1							
10	2	1A2190-55710	WIRE, ACCEL	1							
11	1	1A2190-55600	STAY PUSH-UP	1							
12	1	1A2190-55650	WIRE	1							
13	1	1A2190-55860	LEVER ASSY.,CLUTCH	1							
14	1	1E6102-84970	BAND 140,WIRE LOCK	2							
15	1	22117-120000	WASHER, 12	1							
16	1	22137-060000	WASHER, 6	1							
17	1	22137-060000	WASHER, 6	2							
18	1	22417-160120	PIN, COTTER 1.6X12	3							
19	1	22417-200120	COTTER PIN 2.0X12	2							
20	1	22417-200160	PIN, COTTER 2.0X16	1							
21	1	22487-060240	PIN, H 6X 24	2							
22	1	22487-060260	PIN, H 6X 26	1							
23	1	22487-080200	PIN, H 8X 20	1							
24	1	22487-080300	PIN, H 8X 30	1							
25	1	22487-100400	PIN 10X 40	1							

Fig.23. ENGINE FRAME

23. ENGINE FRAME



N115026

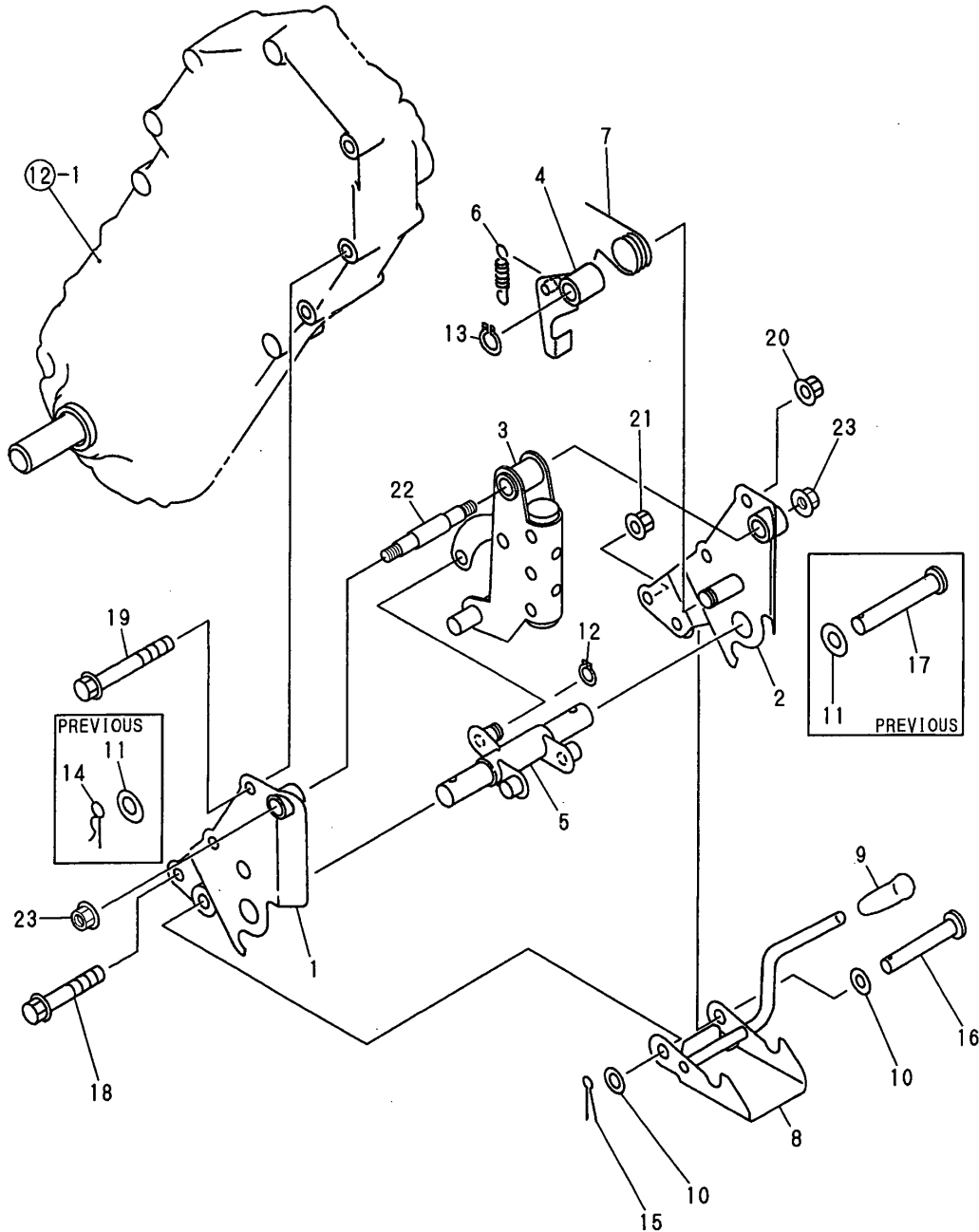
(A)=MT30DX
(B)=
(C)=

(D)=
(E)=
(F)=

No.	Lev.	Parts No.	Description	Q'ty						I	R
				(A)	(B)	(C)	(D)	(E)	(F)		
1	1	1A2190-61100	FRAME COMP.,ENGINE	1							
2	1	26107-080302	BOLT M 8X 30 PLATED	1							
3	1	26107-080502	BOLT M 8X 50 PLATED	1							
4	1	26367-080002	NUT, M8	2							
5	1	1A2190-61300	BUMPER	1							
6	1	1A2190-61310	COLLAR 8.2X10X30	2							
7	1	26107-080452	BOLT M 8X 45 PLATED	2							
8	1	26367-080002	NUT, M8	2							

Fig.24. HITCH

24. HITCH



(A)=MT30DX

(B)=

(C)=

(D)=

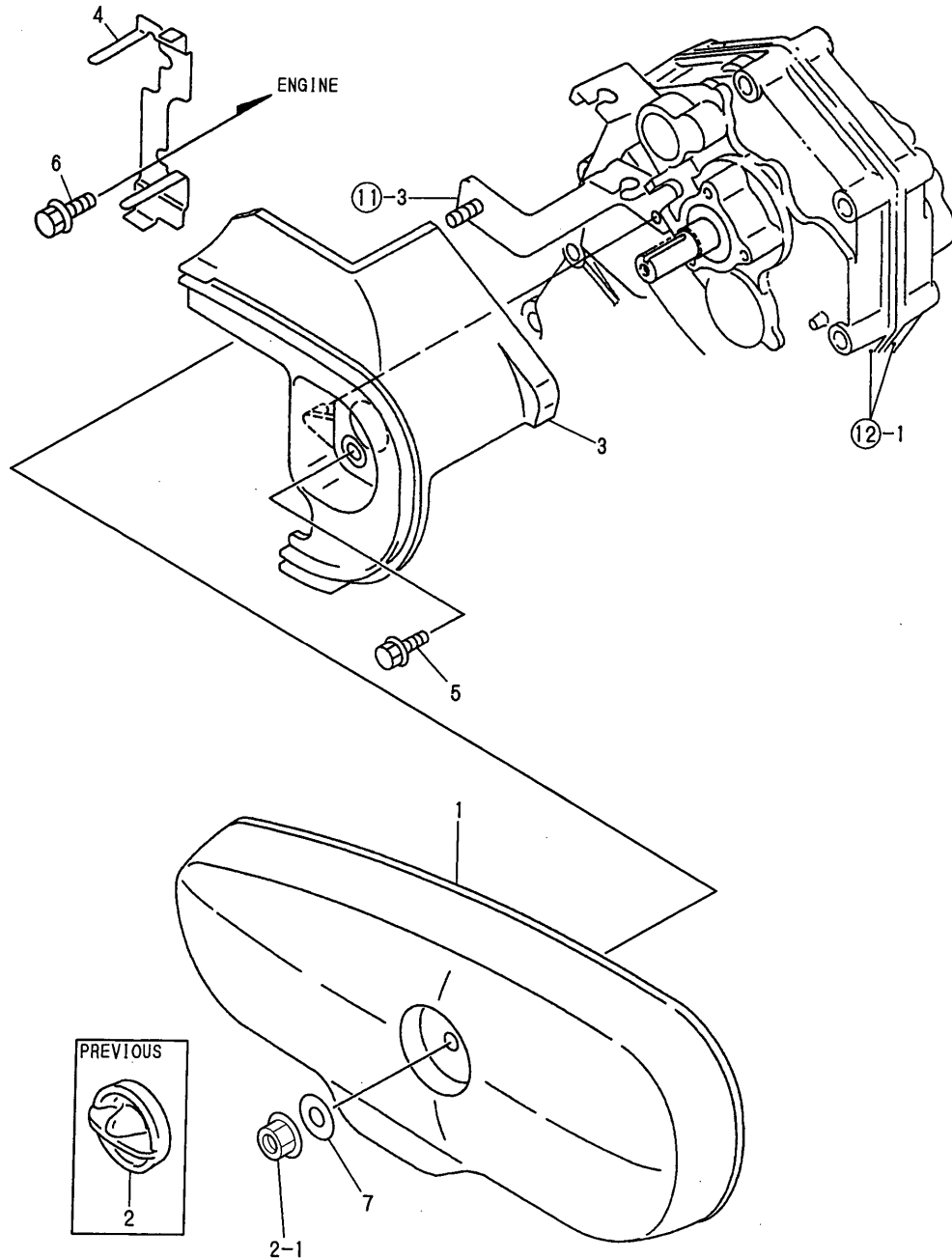
(E)=

(F)=

No.	Lev.	Parts No.	Description	Q'ty						I	R
				(A)	(B)	(C)	(D)	(E)	(F)		
1	1	1A2190-61400	BRACKET R COMP.,FIX.	1							
1-1	1	1A2190-61401	BRACKET R COMP.,FIX.	1							N
(A=*1997.05)											
2	1	1A2190-61450	BRACKET L COMP.,FIX.	1							
2-1	1	1A2190-61451	BRACKET L COMP.,FIX.	1							N
(A=*1997.05)											
3	1	1A2190-61522	BRACKET CMP.,MOVABLE	1							
4	1	1A2190-61600	PUSH-BACK COMPL.	1							
4-1	1	1A2190-61601	PUSH-BACK COMPL.	1							N
(A=*1997.05)											
5	1	1A2190-61652	SHAFT CMP,ROT.FULCRM	1							
6	1	1A2190-61710	SPRING,PUSH-BACK	1							
6-1	1	1A2190-61711	SPRING,PUSH-BACK	1							N
(A=*1997.05)											
7	1	1A2190-61740	SPRING, RETURN	1							
7-1	1	1A2190-61741	SPRING	1							N
(A=*1997.05)											
8	1	1A2190-61850	HOOK	1							
9	1	1E7250-63300	GRIP	1							
10	1	22137-100000	WASHER, 10	2							
11	1	22137-120000	WASHER, 12	2							Z
(A=*1997.05)											
12	1	22242-000100	RING, 10	1							
13	1	22242-000120	RING, 12	1							
14	1	22360-120000	PIN, SNAP 12	1							Z
(A=*1997.05)											
15	1	22417-200200	PIN, COTTER 2.0X20	1							
16	1	22487-100600	PIN, H10X 60	1							
17	1	22487-120700	PIN 12X 70	1							Z
(A=*1997.05)											
18	1	26107-080502	BOLT M 8X 50 PLATED	1							
19	1	26107-080702	BOLT M 8X 70 PLATED	2							
20	1	26367-080002	NUT, M8	2							
21	1	26367-080002	NUT, M8	1							
22	1	1A2190-61580	SHAFT,FULCRUM SUPPRT	1							W
(A=*1997.05)											
23	1	26052-080002	NUT, M8	2							W
(A=*1997.05)											

Fig.25. BELT COVER

25. BELT COVER



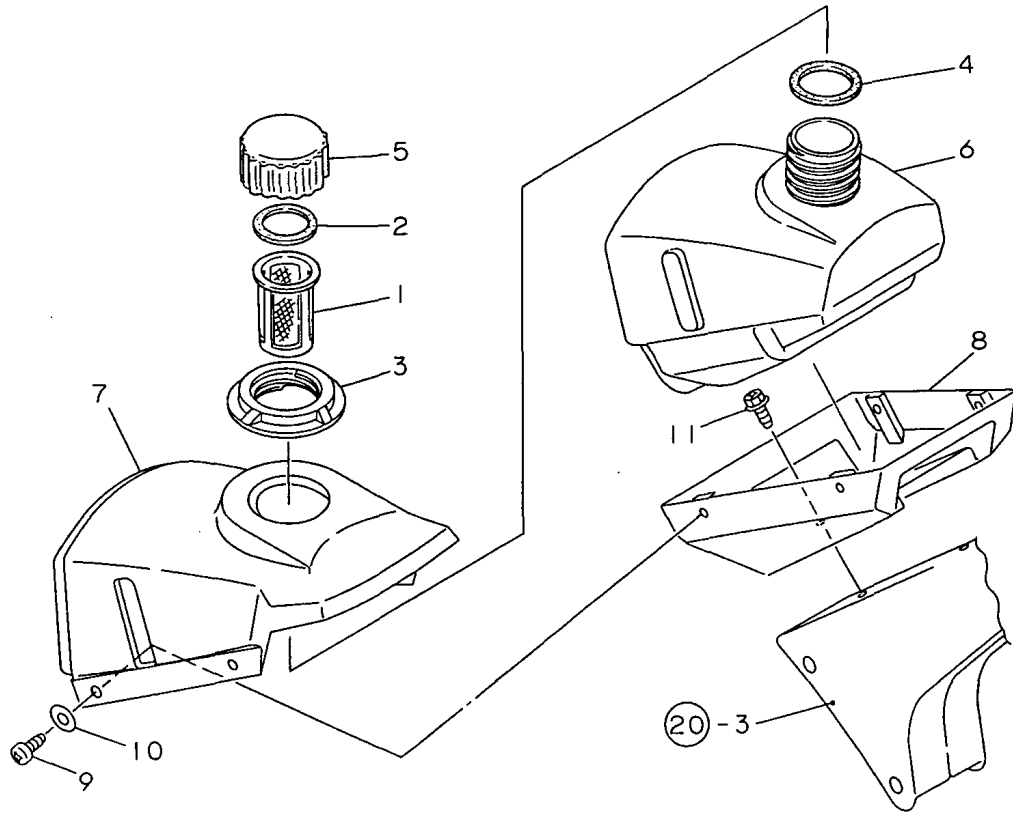
(A)=MT30DX
(B)=
(C)=

(D)=
(E)=
(F)=

No.	Lev.	Parts No.	Description	Q'ty						I	R
				(A)	(B)	(C)	(D)	(E)	(F)		
1	1	1A2190-62000	BELT COVER	1							
2	1	1A2000-62300	KNOB,BELT COVER	1							
2-1	1	26367-080002	NUT, M8	1							S
(A=FO31646)											
3	1	1A2190-62300	COVER, FLYWHEEL	1							
4	1	1A2190-62420	RETAINER	1							
5	1	1A1750-90200	SCREW 6X12,COLLAR HD	3							
6	1	26107-080122	BOLT M 8X 12 PLATED	2							
7	1	22157-080000	WASHER, 8	1							W
(A=FO31646)											

Fig.26. FUEL TANK

26. FUEL TANK



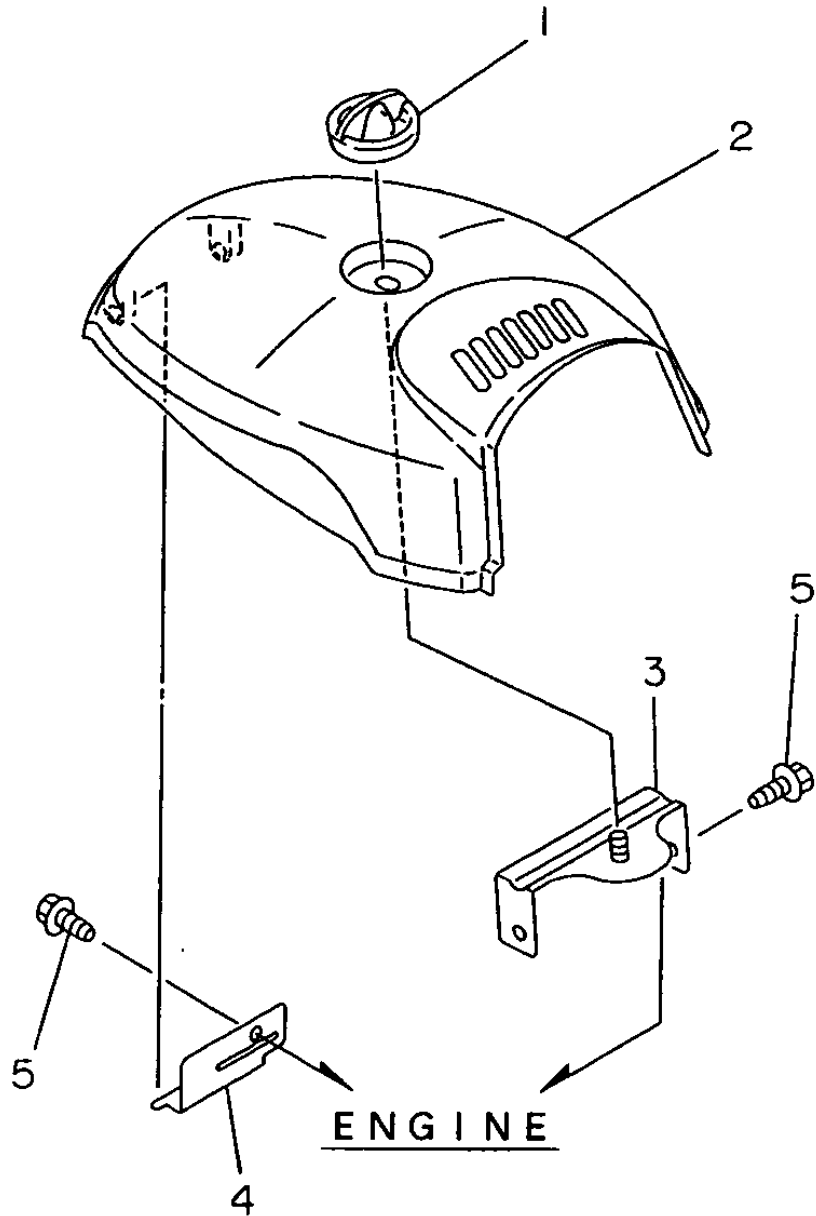
(A)=MT30DX
(B)=
(C)=

(D)=
(E)=
(F)=

No.	Lev.	Parts No.	Description	Q'ty						I	R
				(A)	(B)	(C)	(D)	(E)	(F)		
1	1	1D2042-41200	STRAINER,FUEL	1							
2	1	1D2040-48010	PACKING,FUEL TK.CAP	1							
3	1	1A1540-62110	RING,MOUNTING	1							
4	1	1A1540-62140	CUSHION,TANK	1							
5	1	1A1540-62170	CAP,FUEL TANK	1							
6	1	1A2190-63010	TANK, FUEL	1							
7	1	1A2190-63050	COVER, HANDLE	1							
8	1	1A2190-63100	COVER,FUEL TANK LOWR	1							
9	1	1A2190-63150	SCREW M5X10,TAPPING	4							
10	1	1A1750-90150	WASHER 5,PLAIN	4							
11	1	1A1750-90200	SCREW 6X12,COLLAR HD	2							

Fig.27. BONNET

27. BONNET



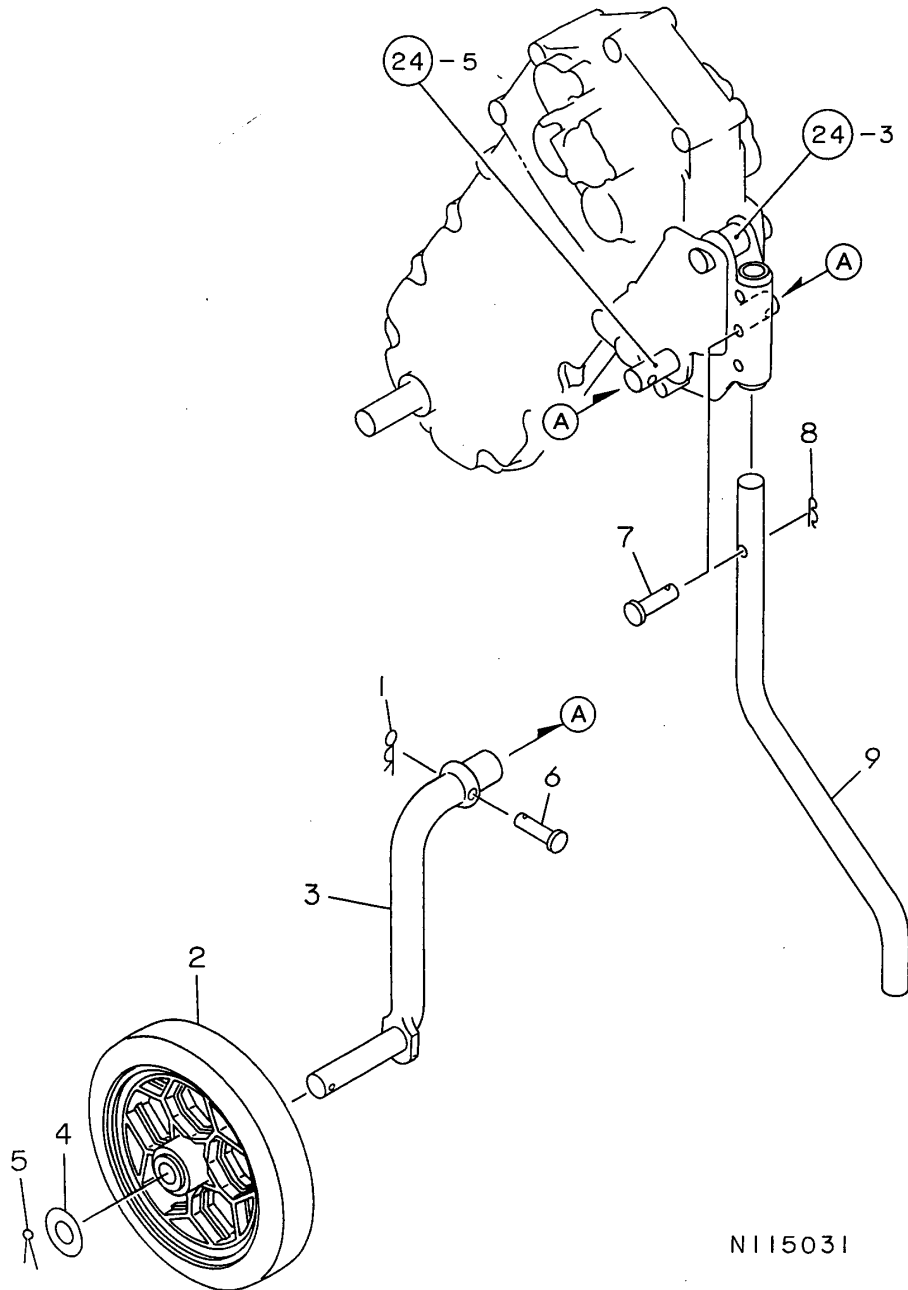
(A)=MT30DX
(B)=
(C)=

(D)=
(E)=
(F)=

No.	Lev.	Parts No.	Description	Q'ty						I	R
				(A)	(B)	(C)	(D)	(E)	(F)		
1	1	1A2000-62300	KNOB,BELT COVER	1							
2	1	1A2190-64010	BONNET GA	1							
3	1	1A2190-64200	STAY B COMP.,BONNET	1							
4	1	1A2190-64220	STAY A,BONNET	1							
5	1	26476-060142	SCREW, TAPPING M6X14	3							

Fig.28. TAIL WHEEL

28. TAIL WHEEL



N115031

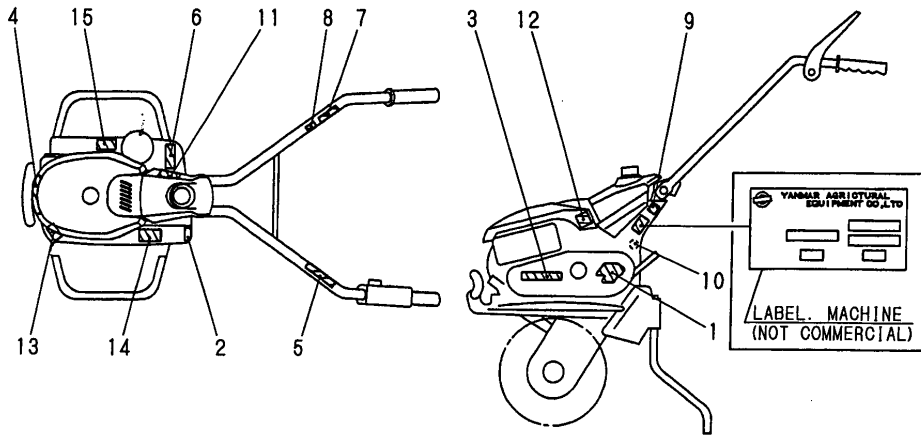
(A)=MT30DX
(B)=
(C)=

(D)=
(E)=
(F)=

No.	Lev.	Parts No.	Description	Q'ty						I	R
				(A)	(B)	(C)	(D)	(E)	(F)		
1	1	1C6281-52320	PIN, SNAP 8	2							
2	1	1A2170-72200	WHEEL 195,TAIL	2							
3	1	1A2190-72801	ARM COMP.,	2							
4	1	22137-160000	WASHER, 16	2							
5	1	22417-300300	PIN, COTTER 3.0X30	2							
6	1	22487-080300	PIN, H 8X 30	2							
7	1	1A1540-46010	PIN 8X35,FLAT HEAD	1							
8	1	1C6281-52320	PIN, SNAP 8	1							
9	1	1A1750-70000	BAR,RESISTANCE	1							

Fig.30. LABELS

30. LABELS



(A)=MT30DX

(B)=

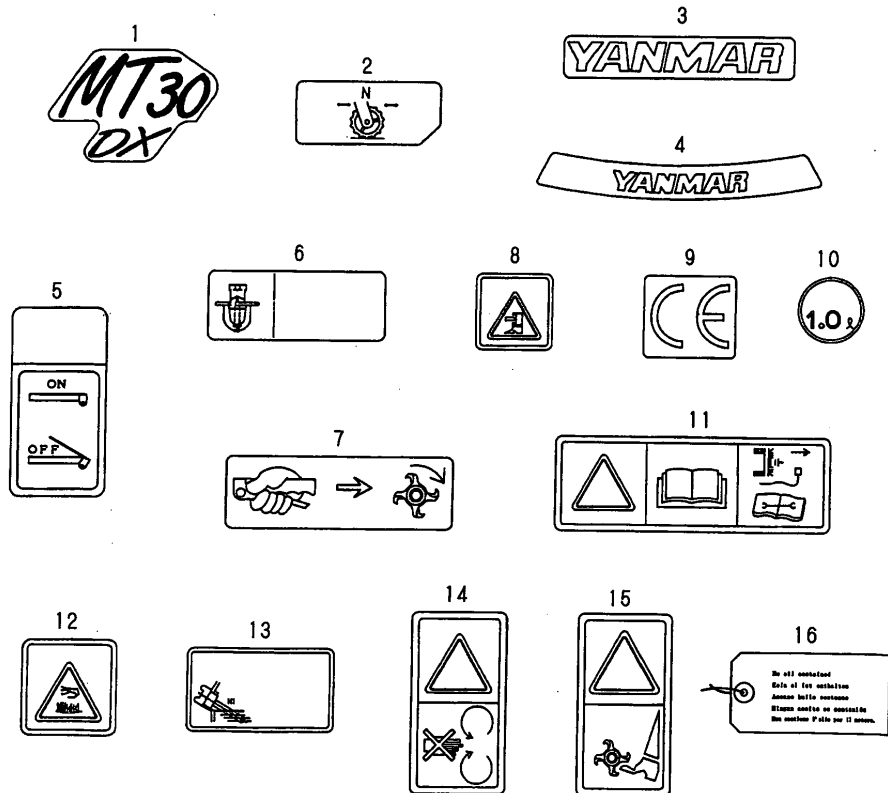
(C)=

(D)=

(E)=

(F)=

No.	Lev.	Parts No.	Description	Qty						I	R
				(A)	(B)	(C)	(D)	(E)	(F)		
1	1	1A2190-86040	LABEL 30DX,MODEL	1							
2	1	1A2129-86070	LABEL,TRAVEL CHANGE	1							
3	1	1A2150-86080	LABEL,FRONT MASK	1							
4	1	1A2190-86100	LABEL	1							
5	1	1A2199-86300	LABEL,MAIN CLUTCH	1							
6	1	1A2099-86360	LABEL,FUEL COCK	1							
7	1	1A2199-86420	MARK,GRIP TO BACK	1							
8	1	1A2199-86430	MARK,BACKING CAUTION	1							
9	1	1E1061-86610	MARK "CE"	1							Z
(A=*1996.10)											
10	1	1A2138-86701	LABEL '1',OIL	1							
11	1	1A2199-86700	MARK,HANDLING CAUT'N	1							
12	1	1A2199-86720	MARK,HI-TEMP.CAUTION	1							
13	1	1A2099-86820	LABEL,ENG.OIL,ITA	1							
14	1	1A2199-86840	MARK,BELT CVR.CAUT'N	1							
15	1	1A2199-86900	MARK,ROTARY CAUTION	1							
16	1	1A2099-86900	LABEL,OIL CAUTION	1							W
(A=FROM 1ST)											



Parts No. Index

Parts No.	Fig. No.	Ref. No.
106990-44660	6	37
	9	5
114250-21290	5	10
114270-01600	1	5
114770-61600	7	5
124060-77680	6	42
	9	9
124066-59100	6	38
160120-76940	7	10
		22
160341-01950	8	28
160490-11010	3	4
160490-11120	3	11
160490-11290	3	17
160490-11300	3	18
160490-11310	3	19
160490-14200	5	11
160490-14400	5	12
160490-22010	5	20
160490-22300	5	26
160490-23030	5	28
160490-45010	8	29
160490-45140	8	1
160490-45220	8	4
160490-45230	8	3
160490-45240	8	25
160490-66020	7	12
160490-66190	7	25
160490-66200	7	28
160490-66211	7	29
160490-76051	8	10
160490-76251	8	11
160490-76511	8	13
160490-76580	8	21
160490-76591	8	23
160490-76600	8	22
160490-76611	8	12
160490-78090	8	30
160490-78230	8	24
160490-78540	8	31
160490-78550	8	32
160492-01600	1	10
160492-12510	4	4
160492-12600	4	9 A
160492-12620	4	9 C
160492-12630	4	9 D
160492-12640	4	9 E
160492-12750	4	4 -1
160492-12910	4	30
160492-13601	4	13

Parts No.	Fig. No.	Ref. No.
160492-45511	8	6
160492-55910	6	43
160492-56030	6	12
160492-56260	6	44
160492-56830	6	19
160492-56910	6	9
160492-59390	9	8
160492-66100	7	13
160493-56530	6	29
160493-56540	6	26
160493-56550	6	27
160493-56610	6	14
160493-56620	6	17
160493-56630	6	18
160493-56640	6	25
160493-56660	6	28
160493-56680	6	15
160493-56700	6	31
160493-56710	6	30
160493-56730	6	20
160493-56740	6	21
160493-56751	6	22
160493-56790	6	23
160493-56800	6	32
160493-56820	6	33
160493-56850	6	24
160493-56870	6	8
160493-59390	6	40
160493-59400	6	41
160498-01330	3	1
160498-14050	5	1
160510-02220	1	8
		16
160510-13200	4	12
160520-03050	3	21
160520-07272	2	5
160520-66291	7	20
160530-21200	5	16
160590-21210	5	17
160592-04310	4	1
160593-03180	3	23 -1
160598-12610	4	9 B
160610-03050	3	22
160610-04201	3	2
160610-04620	3	3
160610-21290	5	18
160611-01740	1	20
160611-04620	4	1 -1
160611-14560	5	9
160664-11100	3	9

Parts No.	Fig. No.	Ref. No.
160664-11110	3	10
160664-11180	3	12
160664-66220	7	19
160667-56150	6	34
160667-56160	6	35
160667-59350	6	39
	9	7
160670-66350	7	21
160690-07400	2	8
160690-11220	3	14
160690-11221	3	14 -1
160690-11271	3	15
160690-11280	3	16
160690-12261	4	3
160690-61301	7	2
160690-61311	7	3
160690-61450	7	4
160690-61600	7	6
160690-76531	8	15
160690-76540	8	16
160690-76561	8	17
160690-76570	8	18
160690-76801	8	14
160692-07370	2	6
160692-12920	4	8
160692-55330	6	1
	9	6
160692-55421	6	6
160692-56900	6	36
160692-66051	7	14
160698-76580	8	19
160699-11200	3	13
160700-78040	8	36
160700-78050	8	37
160700-78720	8	38
160708-07260	2	3
160710-55360	6	2
160710-55370	6	3
160710-55382	6	4
160720-12770	4	6
160720-12780	4	5
160720-12810	4	7
160762-12050	4	2
160762-12870	4	9
160763-12600	4	10
160793-78010	8	35
160798-07100	2	4
160810-03180	3	23
160903-55390	6	5
1A1104-28230	17	4

Parts No.	Fig. No.	Ref. No.
1A1470-20090	12	3
1A1540-28251	16	4
1A1540-46010	19	9
		21
	28	7
1A1540-46020	19	10
		22
1A1540-62110	26	3
1A1540-62140	26	4
1A1540-62170	26	5
1A1540-87050	31	2
1A1735-23240	14	6
1A1750-20010	12	1
1A1750-20030	12	2
1A1750-20180	16	1
1A1750-20410	12	4
1A1750-20421	12	5
1A1750-20440	16	2
1A1750-21350	17	1
1A1750-40800	29	1
1A1750-41100	20	1
1A1750-41150	20	2
1A1750-51100	22	1
1A1750-51150	22	2
1A1750-70000	28	9
1A1750-83900	31	1
1A1750-90060	21	8
1A1750-90150	21	9
	26	10
1A1750-90200	9	10
	25	5
	26	11
1A1760-30200	19	4
		16
1A2000-62300	25	2
	27	1
1A2001-13051	11	2
1A2015-23550	14	7
1A2099-86360	30	6
1A2099-86820	30	13
1A2099-86900	30	16
1A2129-86070	30	2
1A2138-86701	30	10
1A2150-86080	30	3
1A2170-72200	28	2
1A2190-11200	11	1
1A2190-11300	9	1
1A2190-11440	9	2
1A2190-11450	9	3
1A2190-11500	9	4

Parts No. Index

Parts No.	Fig. No.	Ref. No.
1A2190-12100	10	1
1A2190-12110	10	2
1A2190-12151	10	3
1A2190-13210	11	3
1A2190-13300	10	8
1A2190-13350	11	4
1A2190-23020	13	1
1A2190-23030	13	2
1A2190-23040	13	3
1A2190-23050	13	4
1A2190-23100	14	1
1A2190-23110	14	2
1A2190-23140	14	3
1A2190-23150	14	4
1A2190-23160	14	5
1A2190-23350	15	1
1A2190-24000	16	3
1A2190-27100	17	3
1A2190-27101	17	3 -1
1A2190-32000	18	1
1A2190-32100	18	2
1A2190-35001	19	1
1A2190-35051	19	13
1A2190-35101	19	5
		17
1A2190-35150	19	6
		18
1A2190-35200	19	7
		19
1A2190-35300	19	8
		20
1A2190-51300	20	3
1A2190-51400	21	7
1A2190-51701	21	2
1A2190-51910	21	3
1A2190-55400	22	3
1A2190-55420	22	4
1A2190-55421	22	4 -1
1A2190-55460	22	5
1A2190-55470	22	6
1A2190-55520	22	7
1A2190-55550	22	8
1A2190-55600	22	11
1A2190-55650	22	12
1A2190-55710	22	10
1A2190-55860	22	13
1A2190-61100	23	1
1A2190-61300	23	5
1A2190-61310	23	6
1A2190-61400	24	1

Parts No.	Fig. No.	Ref. No.
1A2190-61401	24	1 -1
1A2190-61450	24	2
1A2190-61451	24	2 -1
1A2190-61522	24	3
1A2190-61580	24	22
1A2190-61600	24	4
1A2190-61601	24	4 -1
1A2190-61652	24	5
1A2190-61710	24	6
1A2190-61711	24	6 -1
1A2190-61740	24	7
1A2190-61741	24	7 -1
1A2190-61850	24	8
1A2190-62000	25	1
1A2190-62300	25	3
1A2190-62420	25	4
1A2190-63010	26	6
1A2190-63050	26	7
1A2190-63100	26	8
1A2190-63150	26	9
1A2190-64010	27	2
1A2190-64200	27	3
1A2190-64220	27	4
1A2190-72801	28	3
1A2190-83050	29	2
1A2190-83100	29	3
1A2190-86040	30	1
1A2190-86100	30	4
1A2190-87100	31	4
1A2199-27000	17	2
1A2199-55580	22	9
1A2199-55590	22	9 A
1A2199-86300	30	5
1A2199-86420	30	7
1A2199-86430	30	8
1A2199-86700	30	11
1A2199-86720	30	12
1A2199-86840	30	14
1A2199-86900	30	15
1C6080-51310	21	1
1C6281-52320	28	1
		8
1D1630-51050	10	4
		9
1D2040-48010	26	2
1D2040-87060	31	3
1D2042-41200	26	1
1E1061-86610	30	9
1E6102-84970	22	14
1E6150-56040	17	5

Parts No.	Fig. No.	Ref. No.
1E7250-63300	24	9
1S0010-17150	19	2
		14
1S0010-17250	19	3
		15
22117-100000	20	4
22117-120000	22	15
22137-060000	22	16
		17
22137-100000	21	4
		24
22137-120000	24	11
22137-160000	28	4
22157-060000	10	5
		10
22157-080000	25	7
22217-060000	10	6
22217-100000	20	5
		21
22242-000100	24	12
22242-000120	11	5
		24
22242-000150	11	6
22242-000200	14	8
22252-000120	5	27
22292-000170	13	5
22360-120000	24	14
22372-080000	7	11
22417-160120	22	18
22417-200120	22	19
22417-200160	22	20
22417-200200	24	15
22417-300300	28	5
22487-060240	22	21
22487-060260	22	22
22487-080200	22	23
22487-080300	22	24
		28
22487-100400	22	25
22487-100600	24	16
22487-120700	24	17
24101-060024	13	6
24101-062014	14	9
		15
		2
24101-062030	1	9
		17
24101-062044	16	5
24190-100001	17	6
24311-000100	1	6
		14

Parts No.	Fig. No.	Ref. No.
24311-000150	1	22
24421-152507	13	7
26052-080002	24	23
26106-060082	6	10
		8
		27
26106-060102	6	11
26106-060302	5	29
26106-080142	4	28
26106-100162	1	7
		15
26107-060122	9	11
		10
		11
26107-080122	25	6
26107-080202	19	11
		23
26107-080252	12	6
26107-080302	23	2
26107-080352	9	12
26107-080452	23	7
26107-080502	23	3
		24
		18
26107-080602	20	6
26107-080702	11	7
		24
		19
26117-040088	7	18
26117-040257	7	23
26117-060162	10	7
26157-101002	20	7
		21
		6
26347-060002	7	24
26366-060002	4	29
		7
		26
26367-060002	18	3
26367-080002	9	13
		11
		8
		12
		7
		19
		12
		24
		20
		8
		23
		4
		8
		24
		20
		21
		2
		-1
		29
		4
26376-120002	5	19
26476-060142	3	20
		8
		2
		7
		8

Parts No. Index

Parts No.	Fig. No.	Ref. No.
26476-060142	8	9
		26
	17	7
	27	5
26476-060202	1	19
26476-060302	8	33
26487-060183	18	4
26657-060002	4	11
29610-000650	8	34
29610-000950	8	39
29610-001400	8	40
760490-01500	1	11
760490-01561	1	1
760490-21700	5	13
760490-22500	5	22

Parts No.	Fig. No.	Ref. No.
-----------	----------	----------

Parts No.	Fig. No.	Ref. No.
-----------	----------	----------

Parts No.	Fig. No.	Ref. No.
-----------	----------	----------